

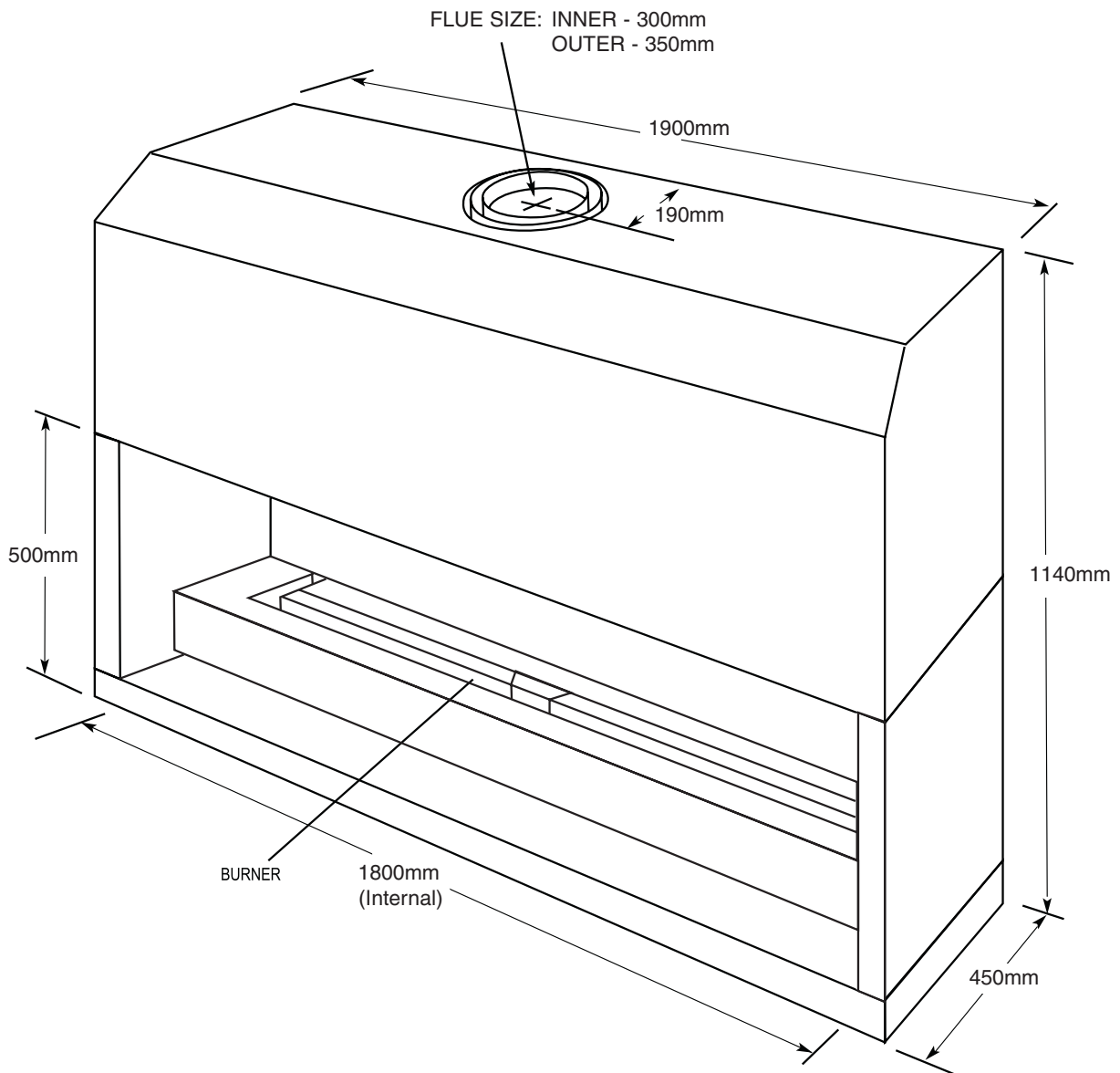
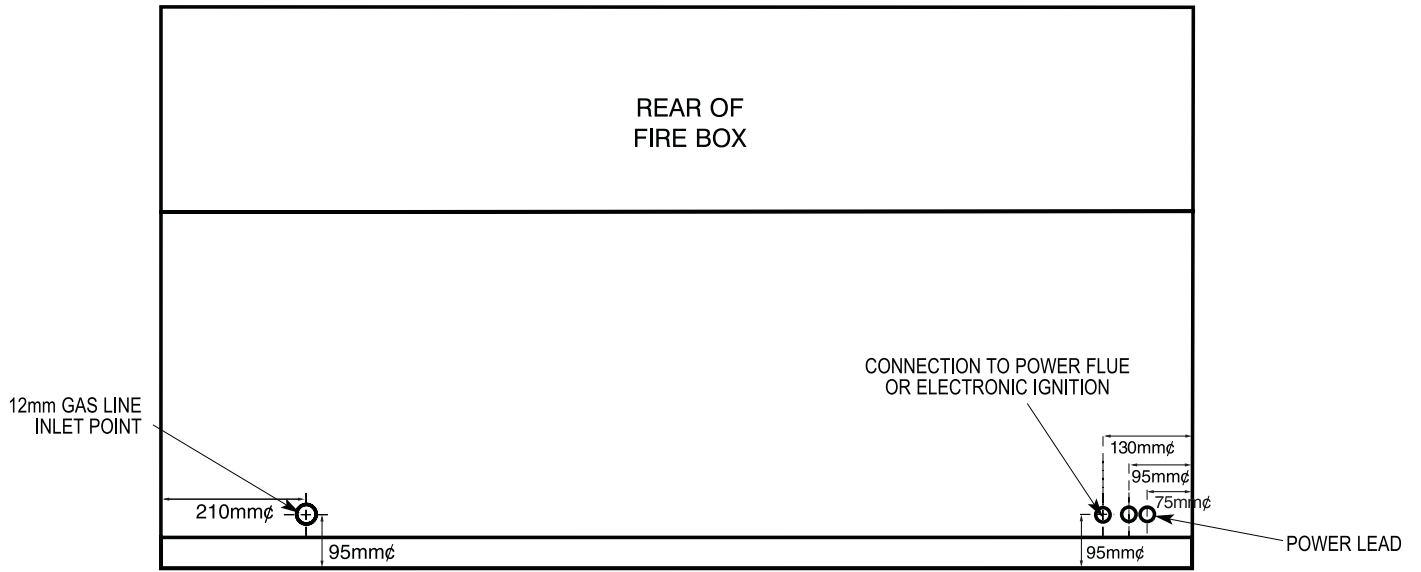


real flame
the hearth of australia

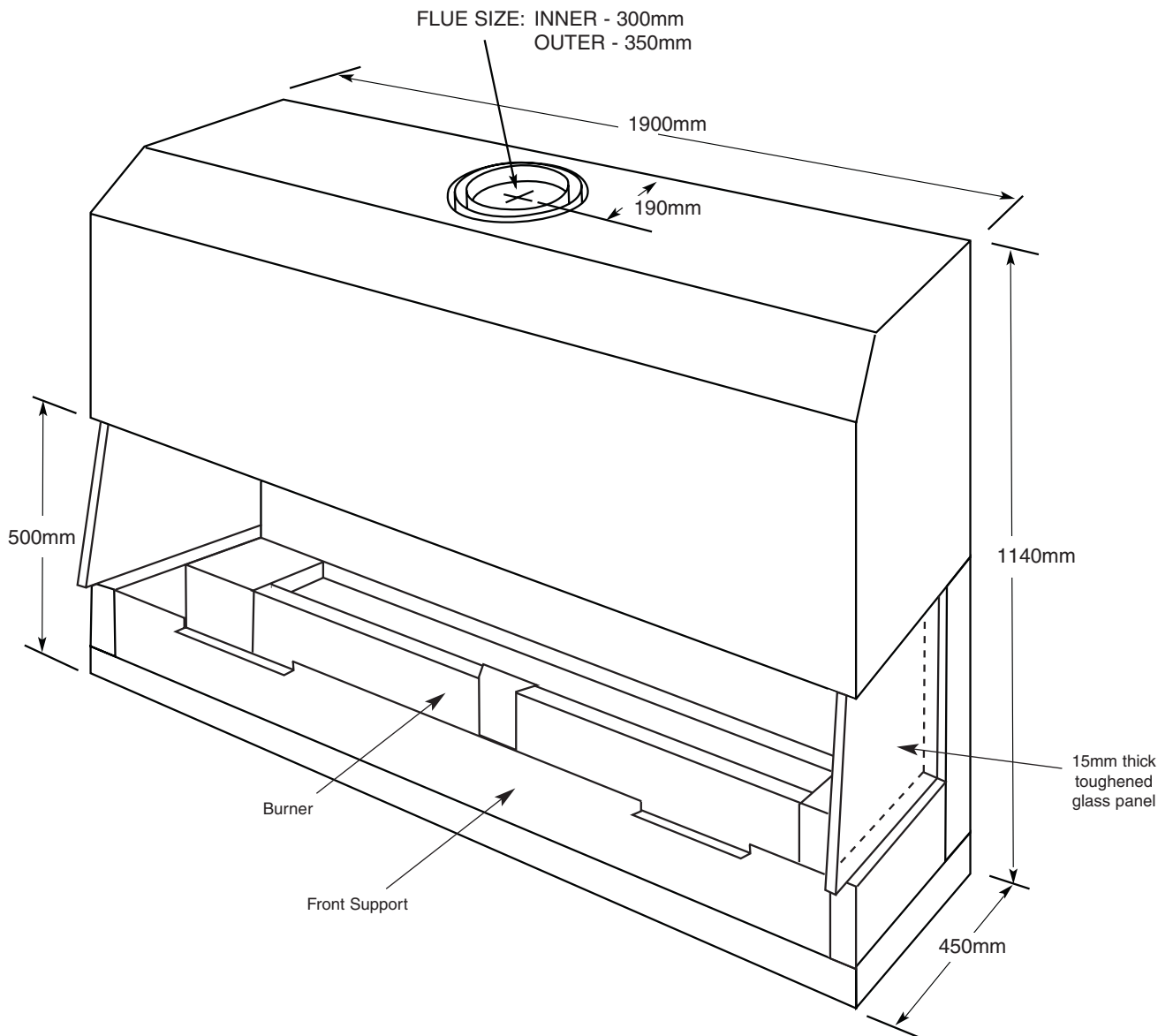
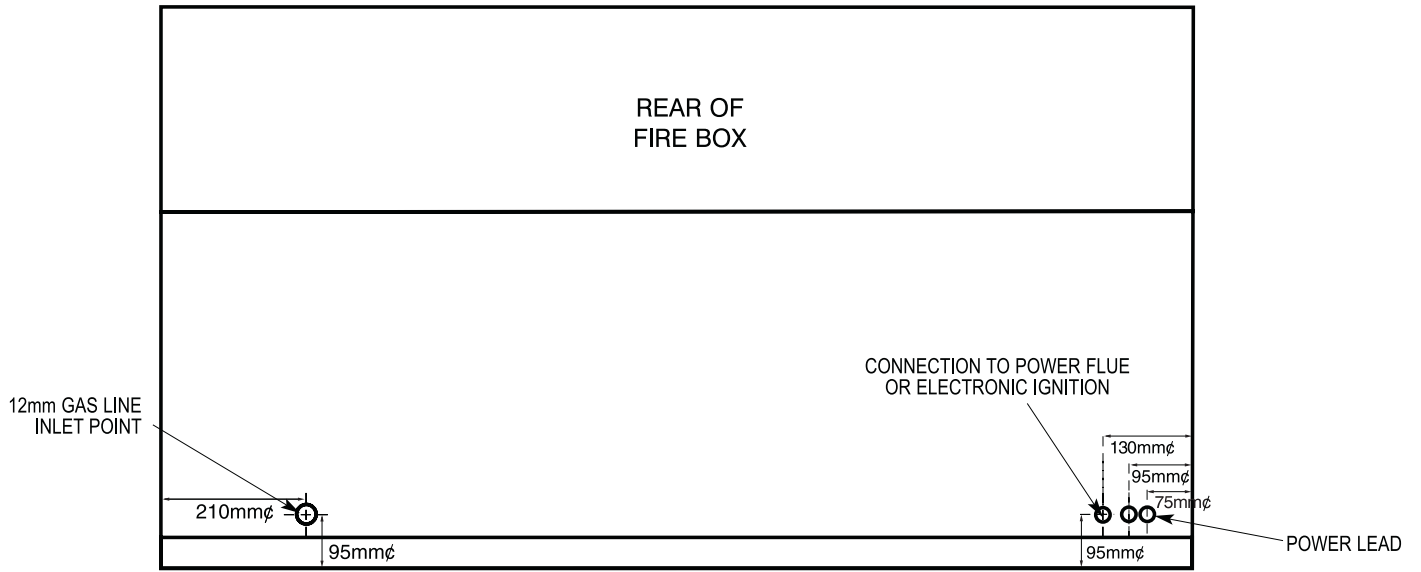
SIMPLICITY/PURE VISION 1800

INSTALLATION INSTRUCTIONS & SPECIFICATIONS

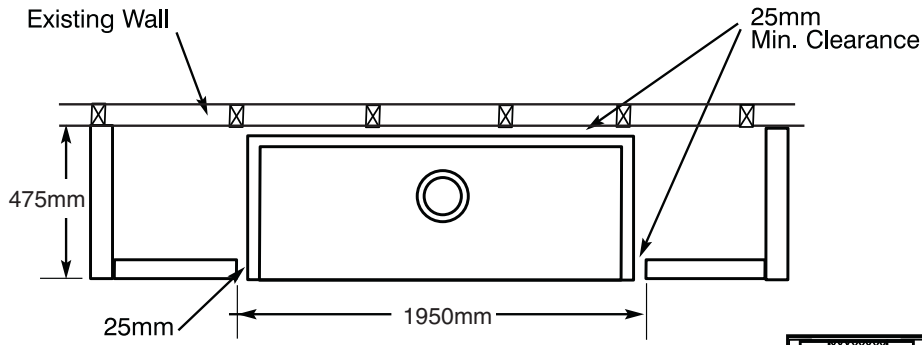
"SIMPLICITY" 1800 - FIRE BOX MEASUREMENTS



"PURE VISION" 1800 - FIRE BOX MEASUREMENTS

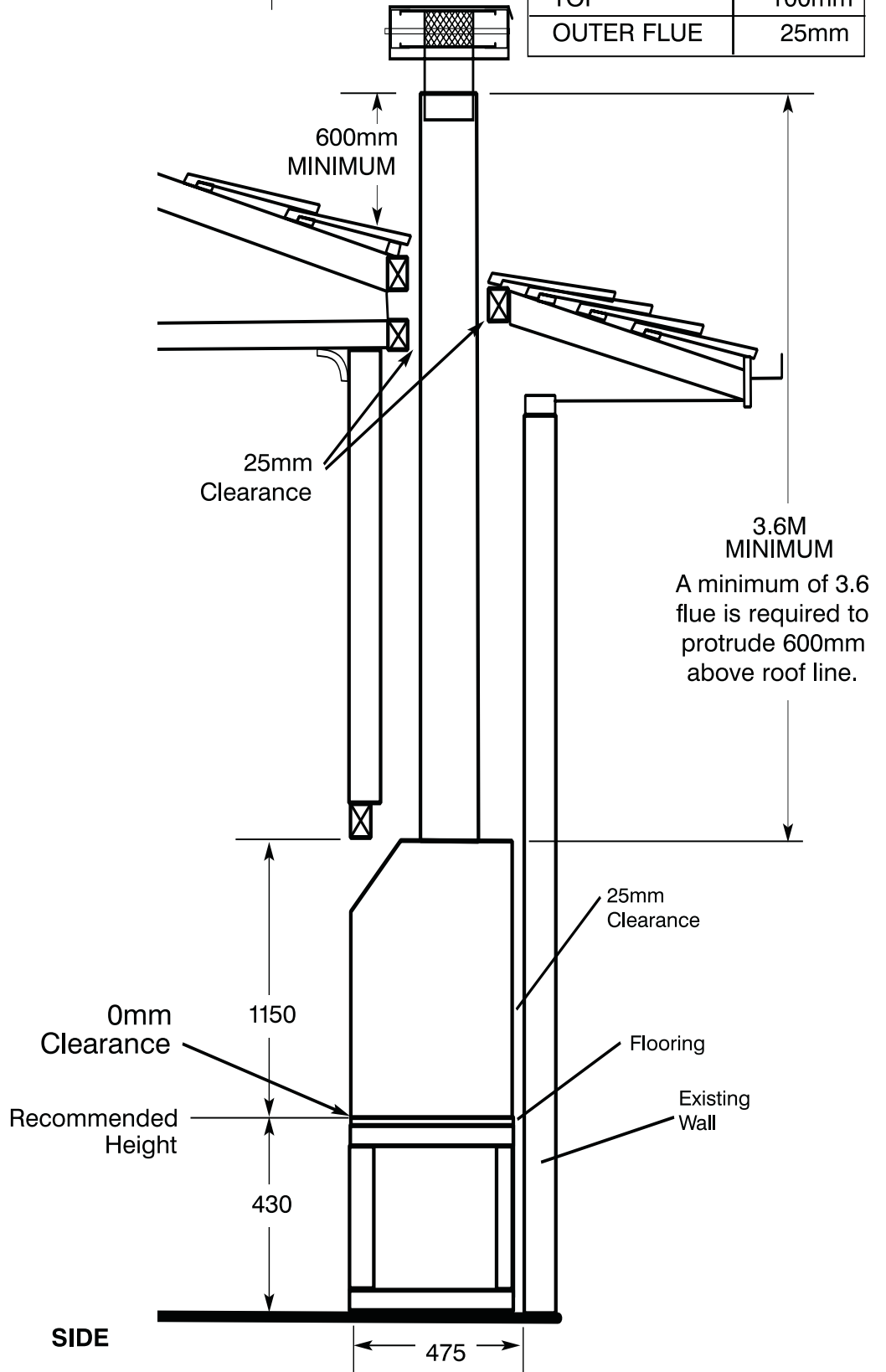


"SIMPLICITY" 1800 - FIRE BOX CLEARANCE FROM COMBUSTIBLES

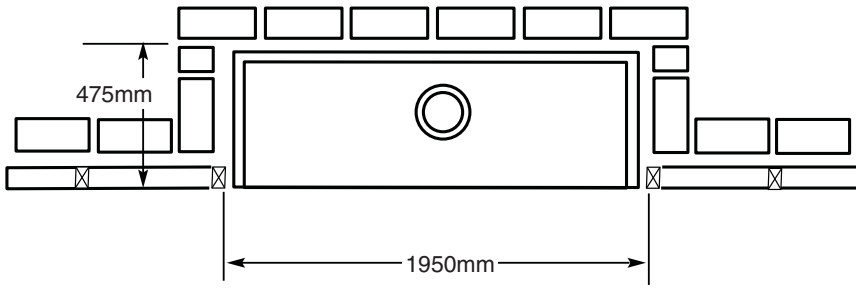


FLOOR	0mm
SIDES	25mm
BACK	25mm
TOP	100mm
OUTER FLUE	25mm

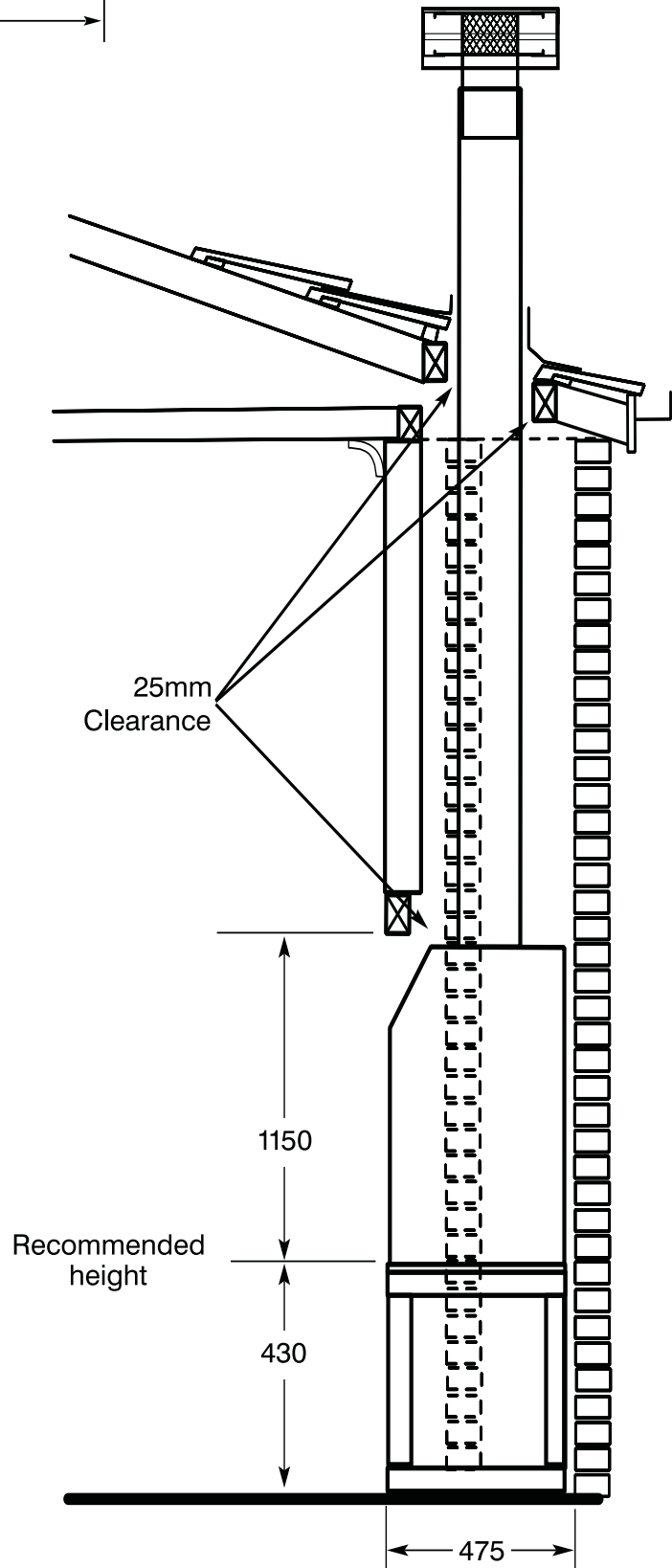
PLAN



“SIMPLICITY” 1800 - EXTERNAL FLUSH WALL FINISH NEW CONSTRUCTION

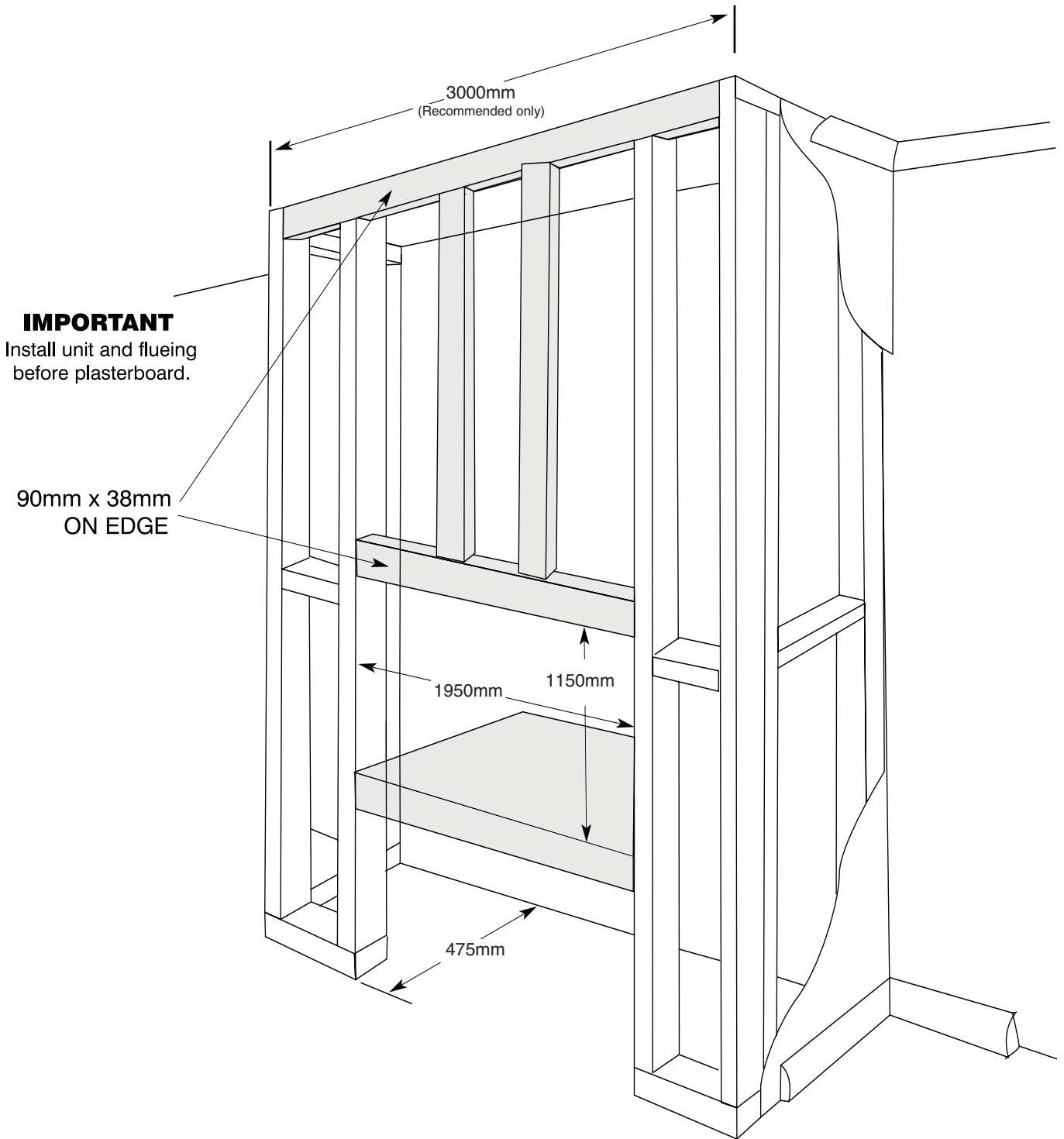


PLAN

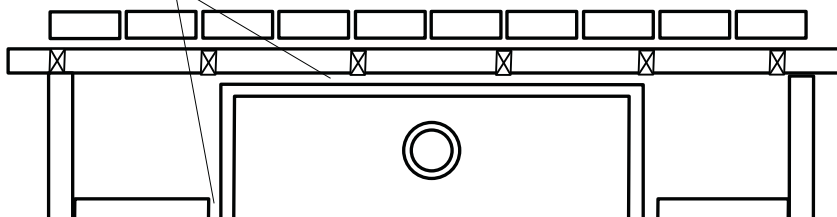


SIDE

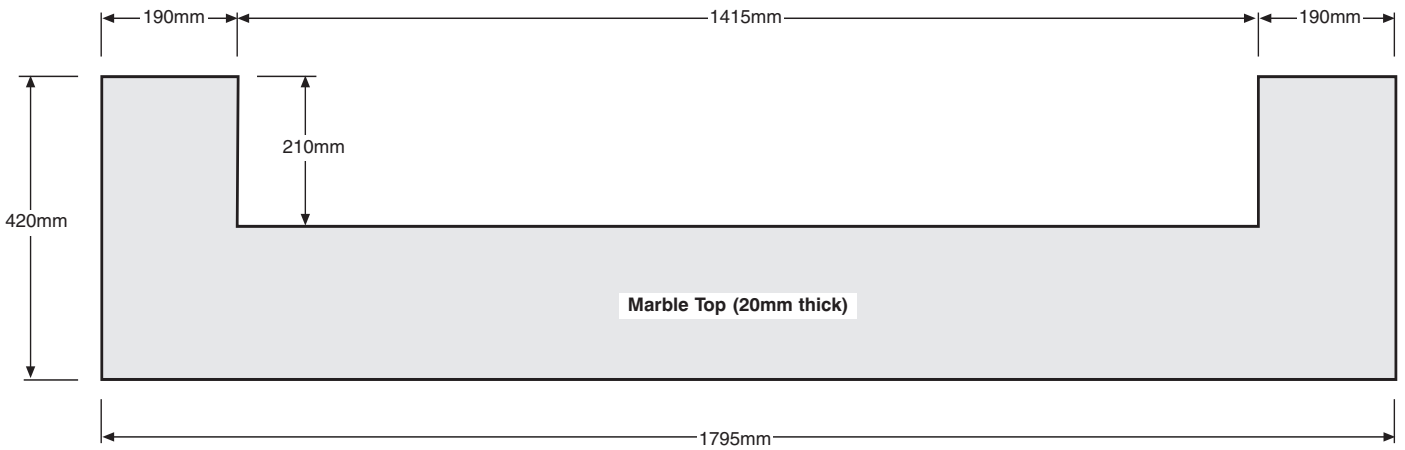
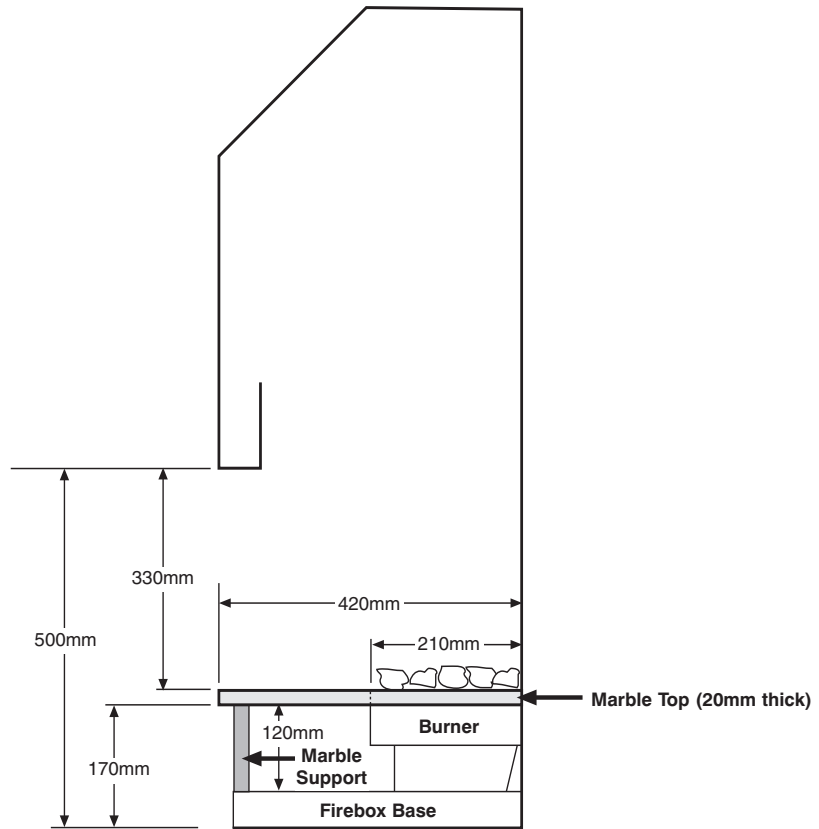
“SIMPLICITY” 1800 - FRAME OUT INTO ROOM



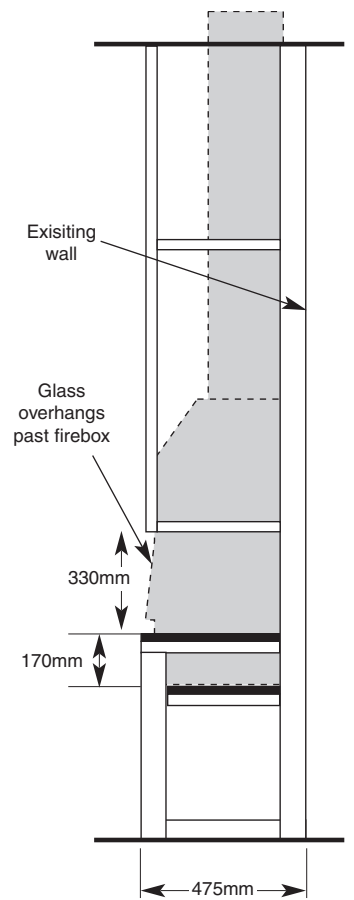
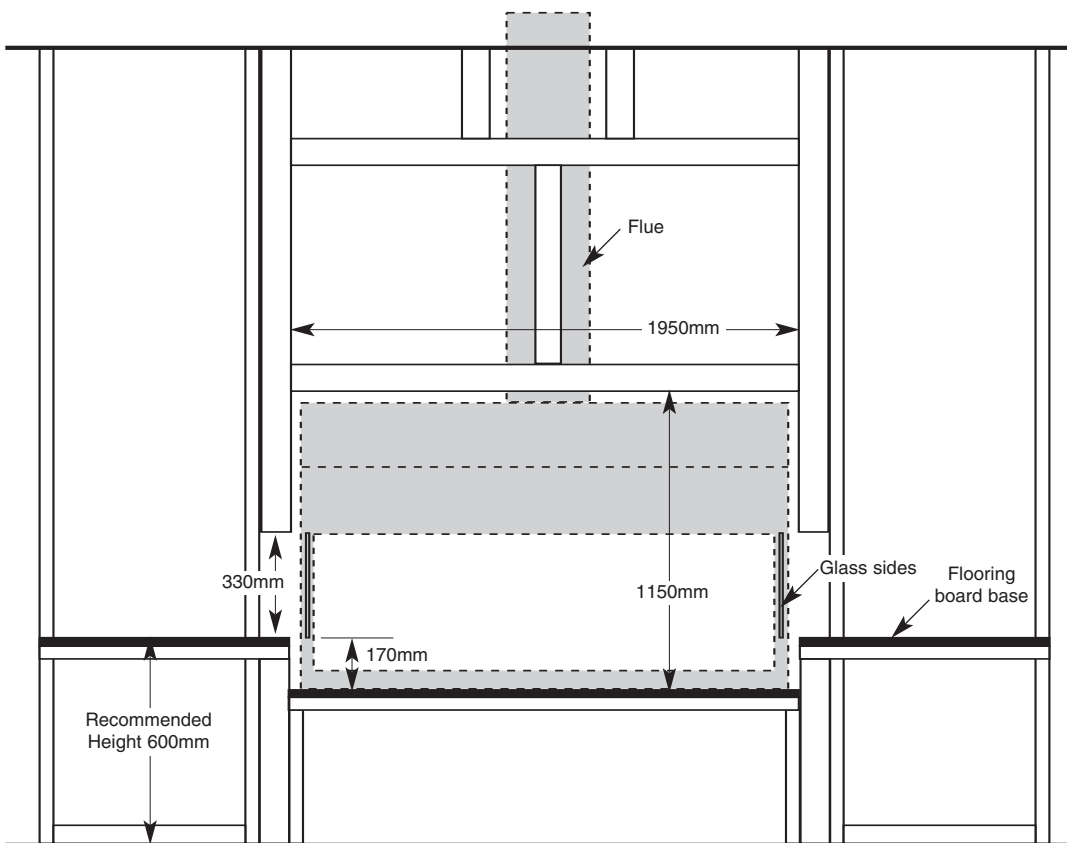
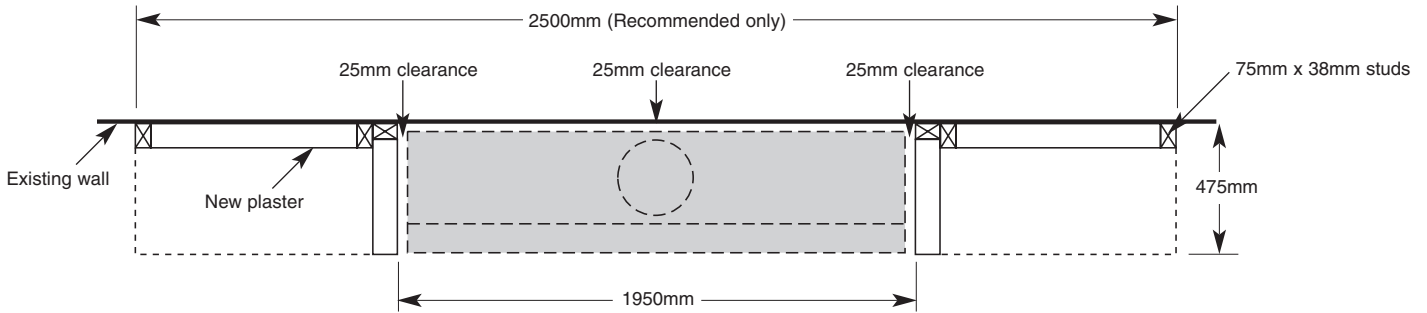
Minimum 25mm clearance



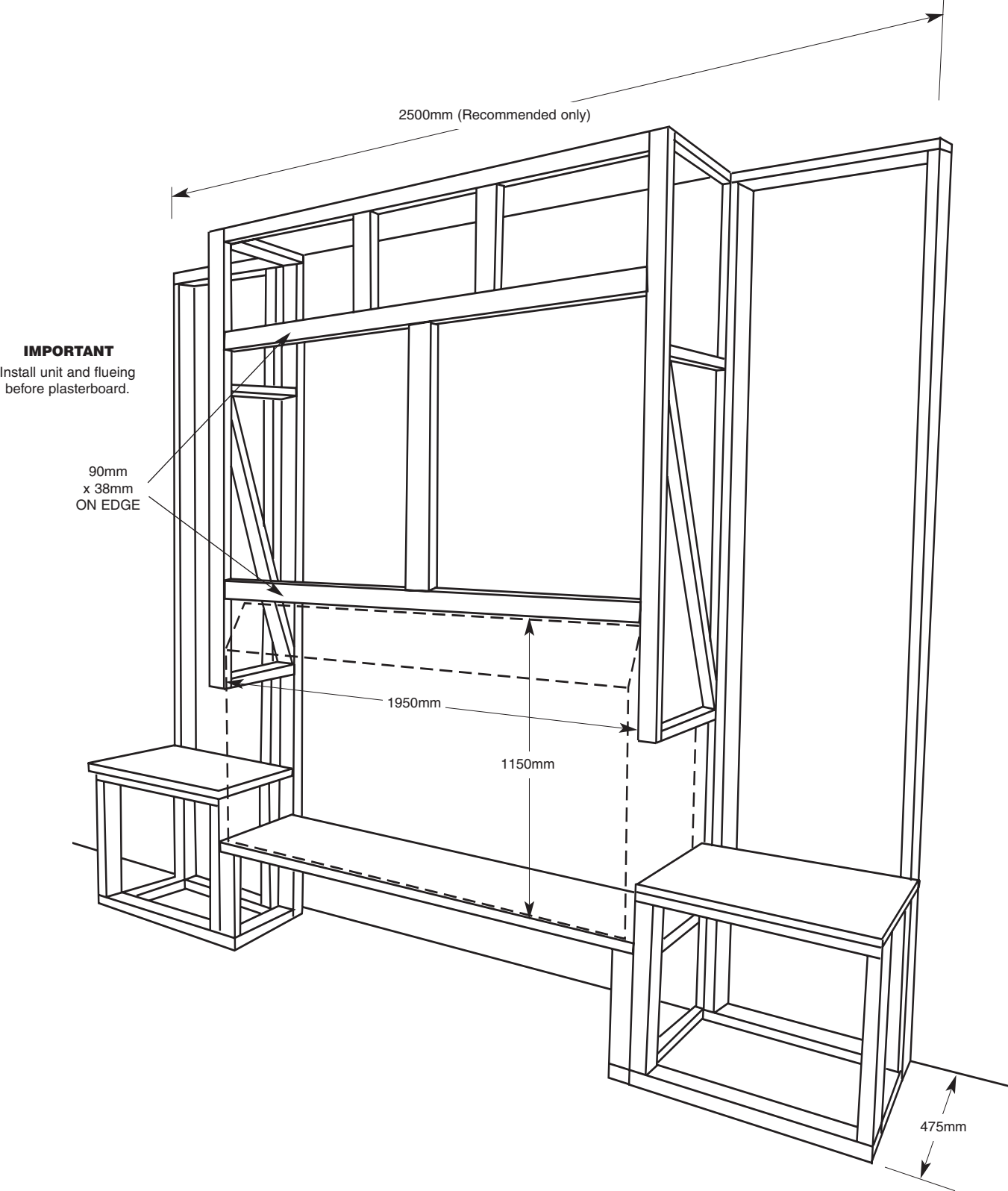
“SIMPLICITY” 1800 - WITH MARBLE SURROUND



“PURE VISION” 1800 - FRAME OUT INTO ROOM



“PURE VISION” 1800 - FRAME OUT INTO ROOM



“SIMPLICITY” & “PURE VISION” 1800 - VENTILATION REQUIREMENTS

■ 70,000 sq mm of effective ventilation.

When you have completed installing your “Simplicity” or “Pure Vision” Fire Box System have your gas fitter install the Magiglo Gas Coal/Log Set as per the specific instructions provided.



REAL FLAME PTY LTD

ABN 76 006 311 155

Head Office / Showroom

300 Swan St. Richmond Vic 3121
Ph: (03) 9428 4443 Fax: (03) 9428 4445
Website: www.realflame.com.au
E-mail: info@realflame.com.au

Bayswater - VIC Showroom

21 Malvern St.
Bayswater Vic 3153
Ph: (03) 9738 0399
Fax: (03) 9738 0410

Brisbane - QLD Showroom

7/8 Leopold St.
Fortitude Valley QLD 4006
Ph: (07) 3257 0394
Fax: (07) 3216 1289
E-mail: realflame.qld@bigpond.com

Adelaide - SA Showroom

173 -175 Magill Rd.
Norwood SA 5067
Ph: (08) 8132 0371
Fax: (08) 8132 1687
E-mail: realflamesa@iprimus.com.au

Sydney - NSW Showroom

654 Pacific Highway.
Chatswood NSW 2067
Ph: (02) 8905 0189
Fax: (02) 8905 0192
E-mail: info@realflame.com.au

Geelong

1/2A Gordon Avenue.
Geelong West Vic 3218
Ph/Fax: 5229 0844
E-mail: realflamegeelong@hotmail.com.au