

**Ventilation requirements for the  
1000/850 "Pure Vision" Fire Box**

**32,000 SQ MM  
OF  
EFFECTIVE VENTILATION**

When you have completed installing your "Purevision" Fire Box System  
have your gas fitter install the Magiglo Gas Coal/Log Set  
as per the specific instructions provided.



**REAL FLAME PTY LTD** ABN 76 006 311 155  
**Head Office / Showroom**  
300 Swan St. Richmond Vic 3121  
Ph: (03) 9428 4443 Fax: (03) 9428 4445  
Website: [www.realflame.com.au](http://www.realflame.com.au)  
E-mail: [info@realflame.com.au](mailto:info@realflame.com.au)

**Bayswater - VIC Showroom**  
21 Malvern St.  
Bayswater Vic 3153  
Ph: (03) 9738 0399  
Fax: (03) 9738 0410

**Brisbane - QLD Showroom**  
7/8 Leopold St.  
Fortitude Valley QLD 4006  
Ph: (07) 3257 0394  
Fax: (07) 3216 1289  
E-mail: [realflame.qld@bigpond.com](mailto:realflame.qld@bigpond.com)

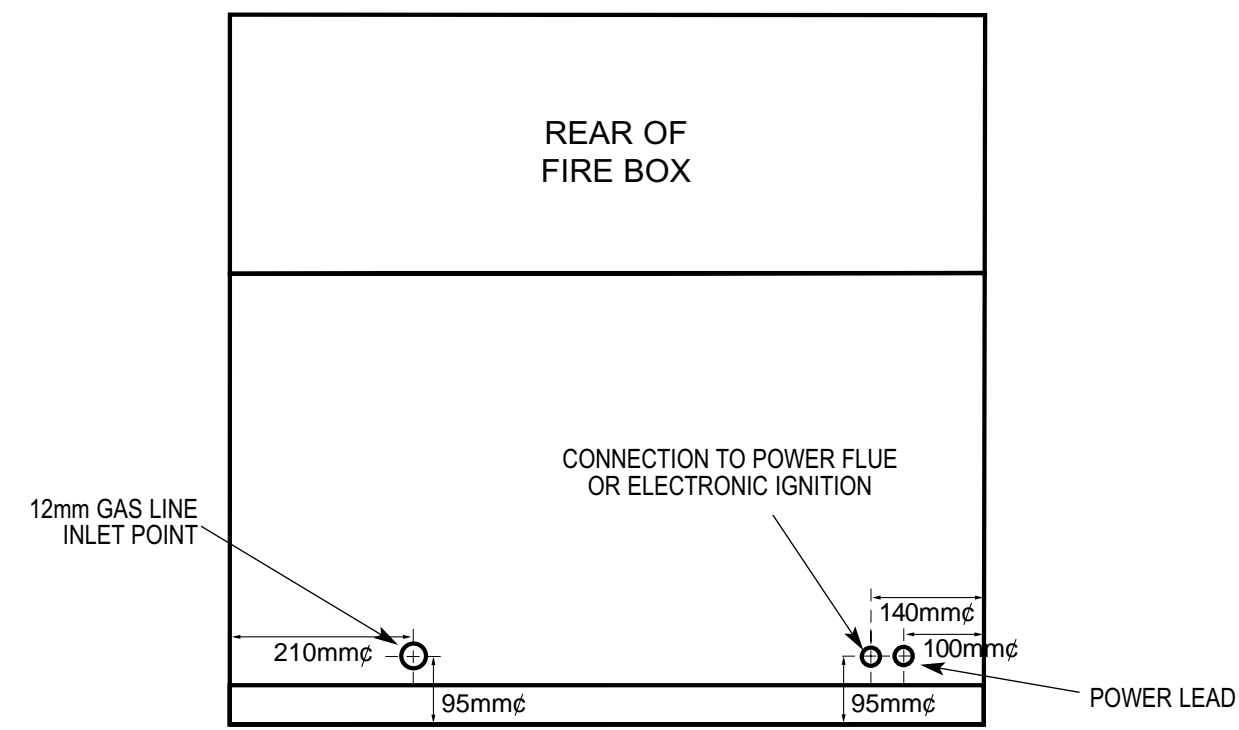
**Adelaide - SA Showroom**  
173 -175 Magill Rd.  
Norwood SA 5067  
Ph: (08) 8132 0371  
Fax: (08) 8132 1687  
E-mail: [realflamesa@iprimus.com.au](mailto:realflamesa@iprimus.com.au)

**Sydney - NSW Showroom**  
654 Pacific Highway.  
Chatswood NSW 2067  
Ph: (02) 8905 0189  
Fax: (02) 8905 0192  
E-mail: [info@realflame.com.au](mailto:info@realflame.com.au)

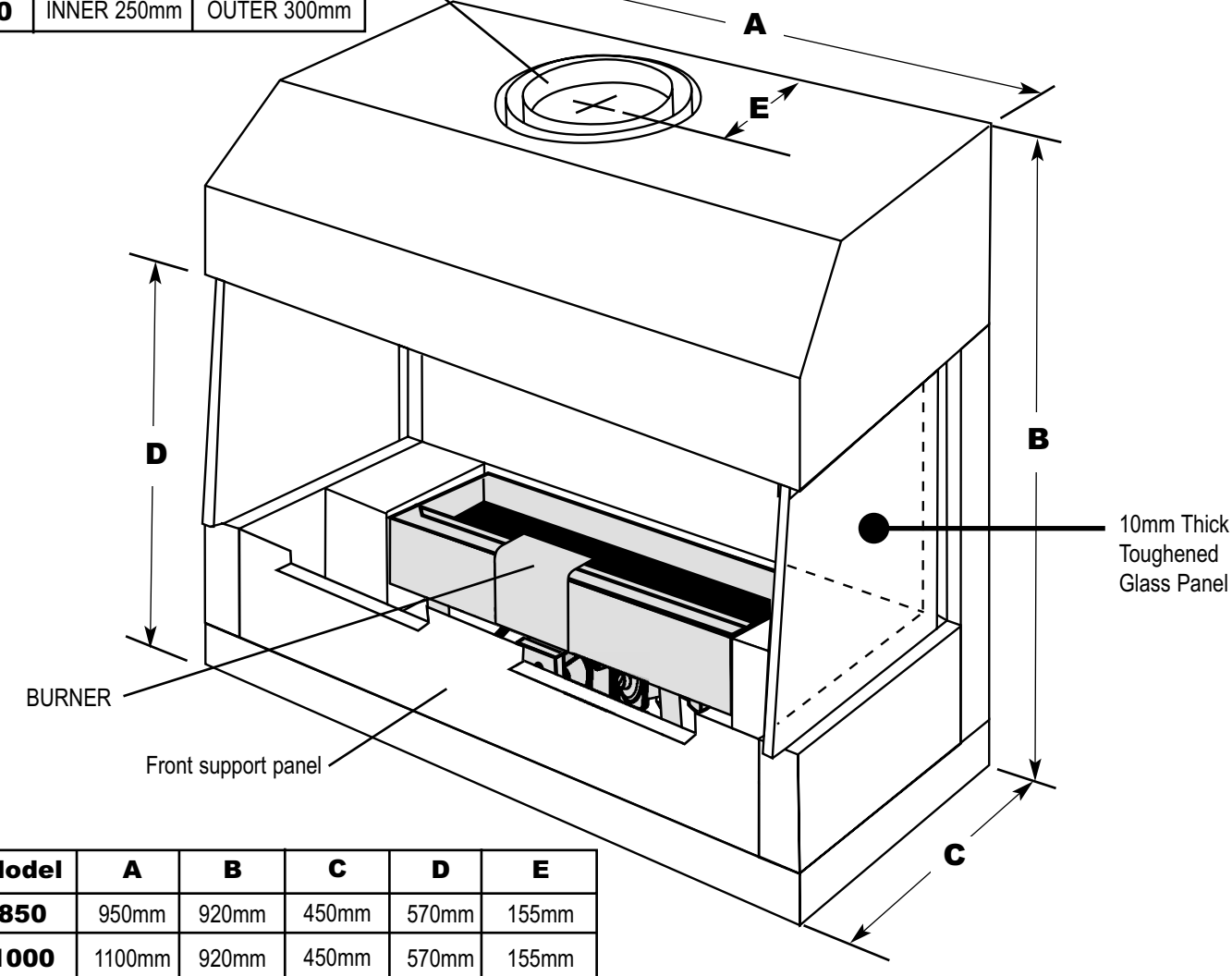


**PURE VISION**

# 1000/850 "PURE VISION" FIRE BOX MEASUREMENTS

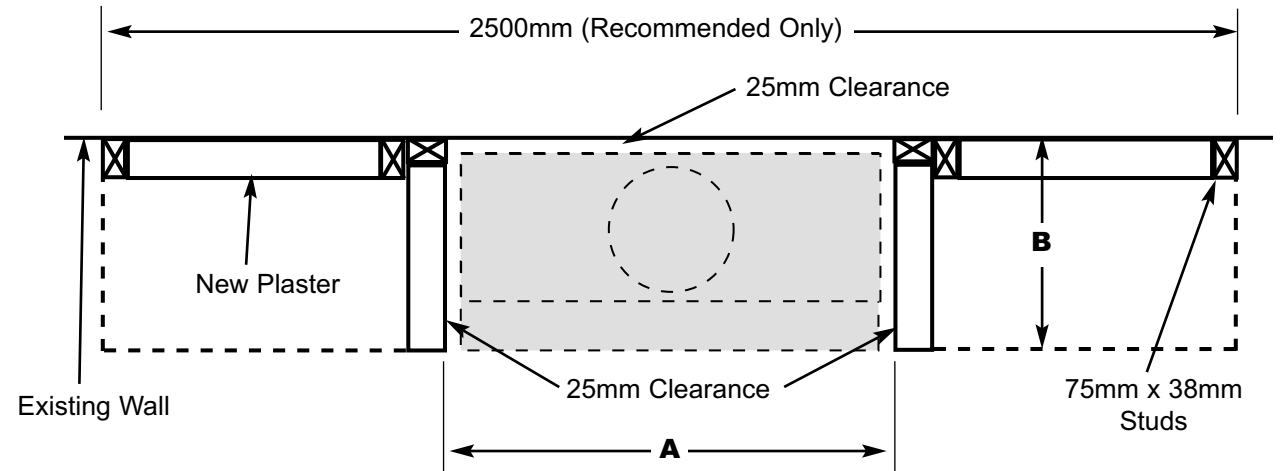


Model	FLUE SIZE	
850	INNER 200mm	OUTER 250mm
1000	INNER 250mm	OUTER 300mm



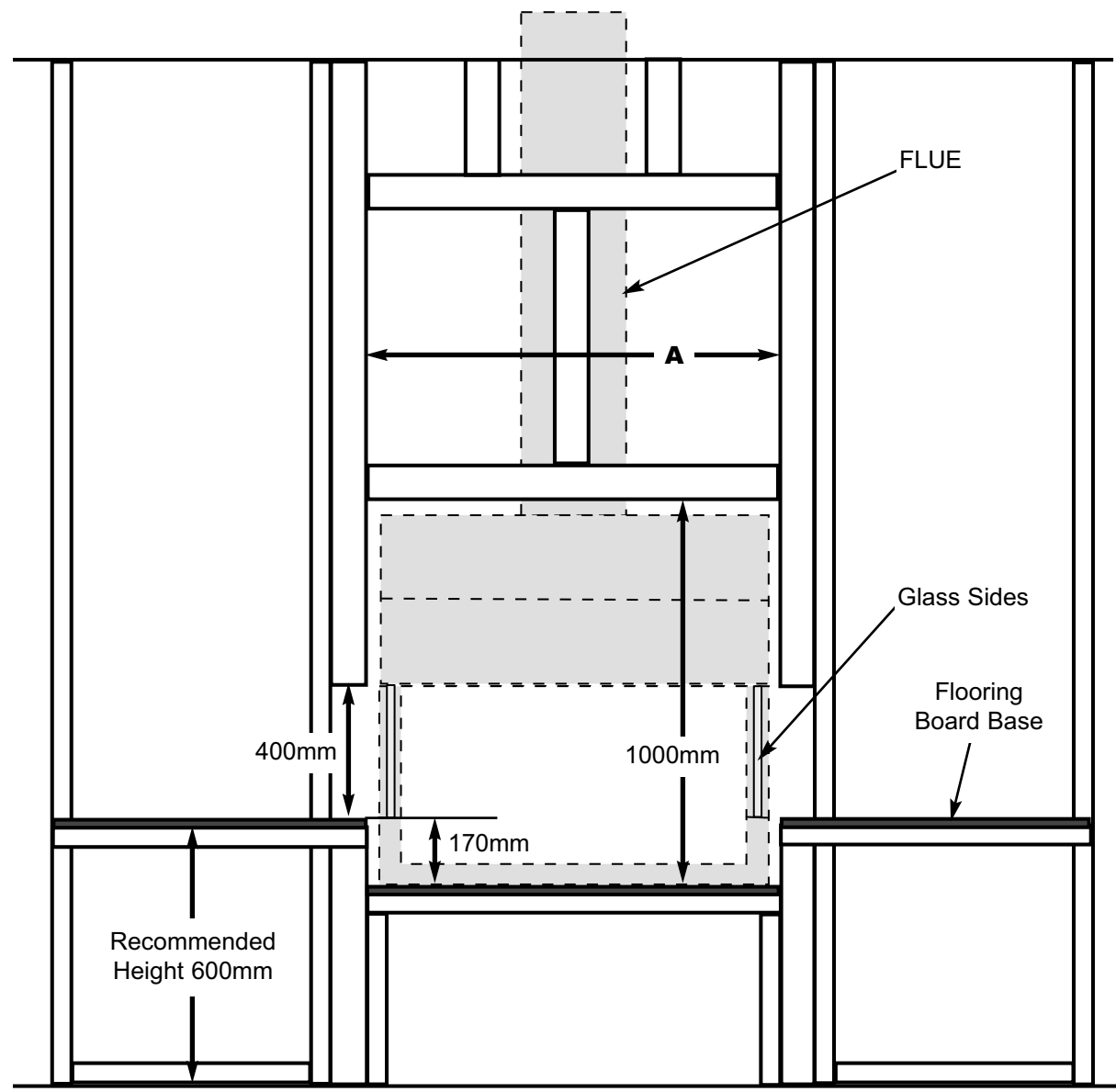
Model	A	B	C	D	E
850	950mm	920mm	450mm	570mm	155mm
1000	1100mm	920mm	450mm	570mm	155mm

# FRAMEOUT INTO ROOM FOR "PURE VISION" UNIT

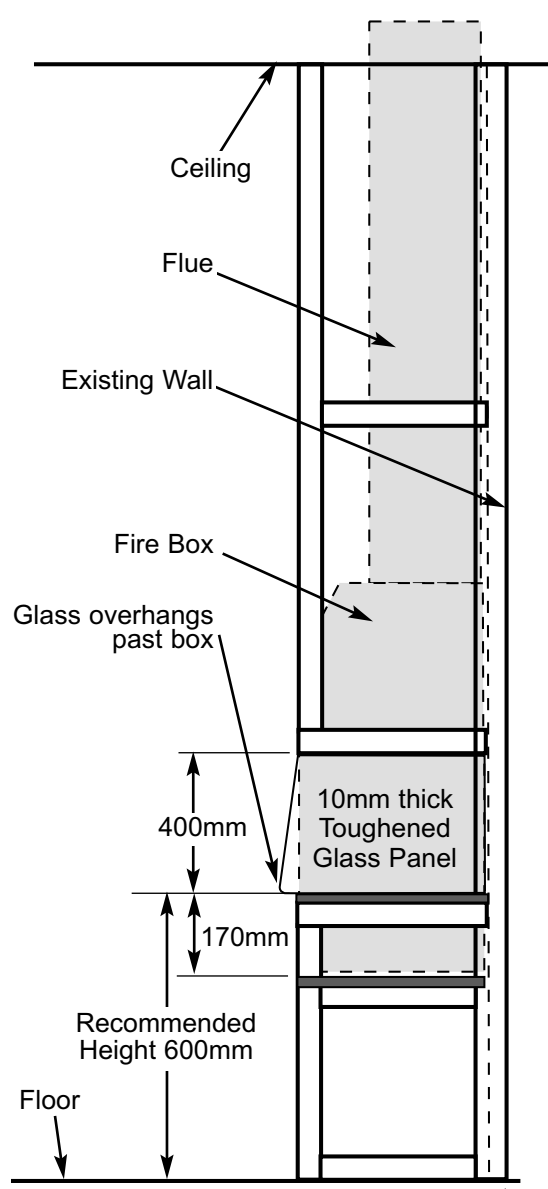


PLAN VIEW

Model	A	B
850	1000mm	475mm
1000	1150mm	475mm

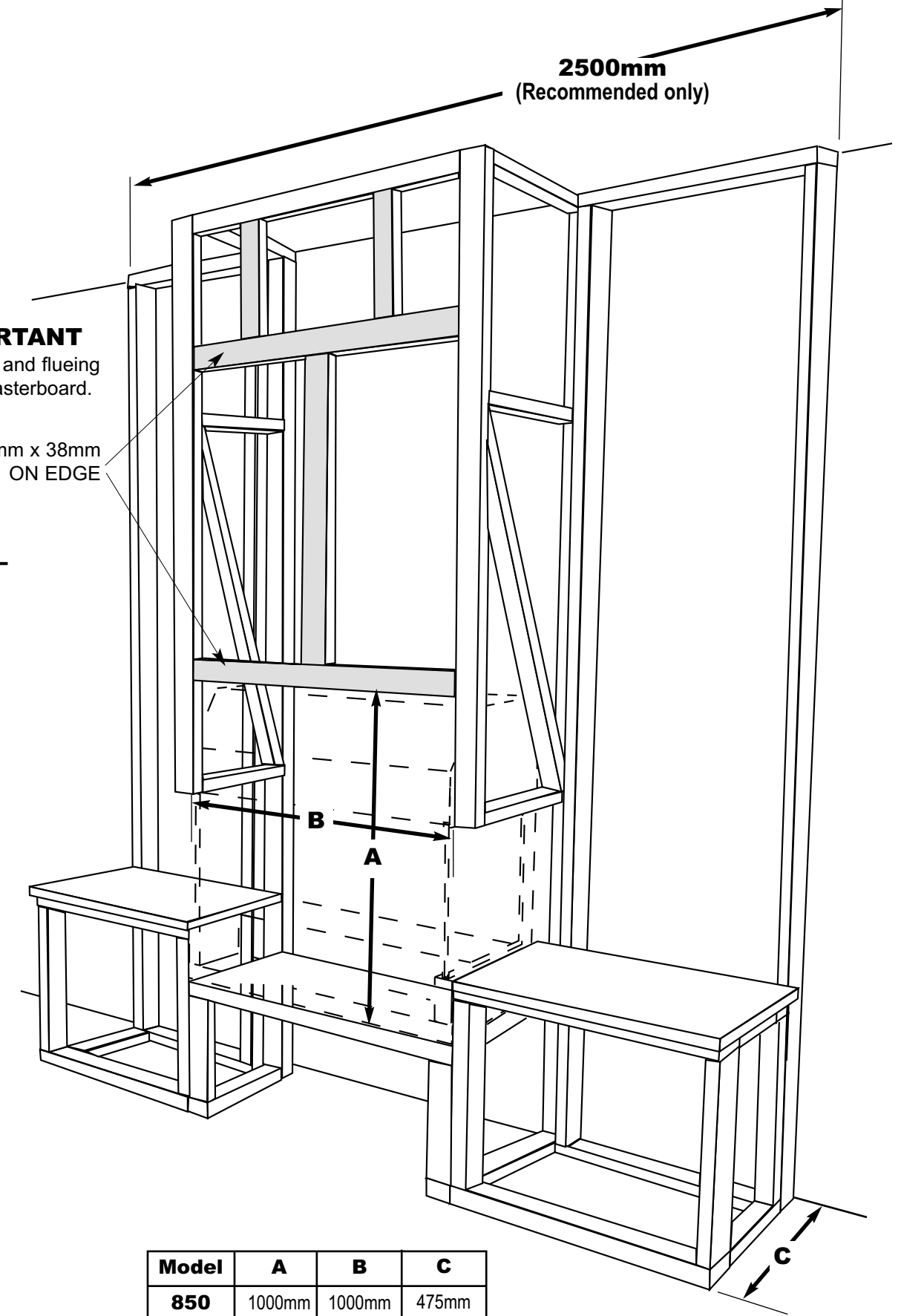


FRONT VIEW



SIDE VIEW

# FRAMEOUT INTO ROOM FOR "PURE VISION" UNIT



Model	A	B	C
850	1000mm	1000mm	475mm
1000	1000mm	1150mm	475mm