

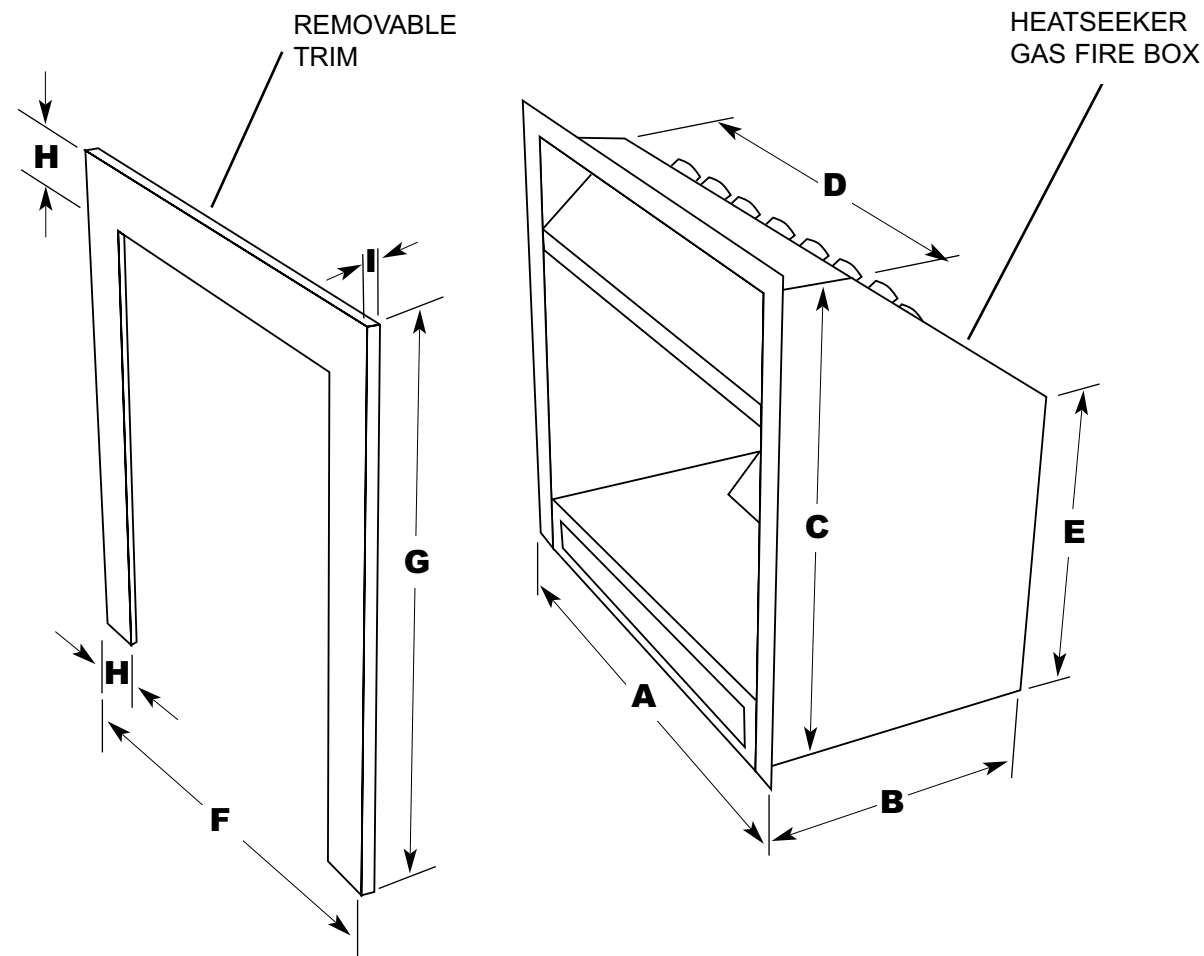
The logo features a stylized flame icon to the left of the text.

real flame
the hearth of australia

HEATSEEKER GAS FIRE BOX INSTALLATION INSTRUCTIONS

INSTALLATION INTO AN EXISTING FIREPLACE

OVERALL DIMENSIONS
MODEL 600 / 700 / 850



MODEL	A	B	C	D	E	F	G	H	I
600	730	370	605	610	370	740	670	75	15
700	830	370	605	710	370	840	670	75	15
850	980	370	605	860	370	990	670	75	15

ALL DIMENSIONS IN MILLIMETRES

HEATSEEKER INBUILT

Installation into an existing fireplace

1. Check that fireplace and chimney are in working order, sound condition and clean and free from obstructions. Any cracks or air gaps in fireplace must be sealed prior to installing Heatseeker fire box.
2. Measure the opening of the fireplace and select the Heatseeker Fire Box which size best suits your fireplace.
3. It is best to select a Heatseeker Fire Box that is smaller than the fireplace opening to reduce the structural work involved in enlarging a fireplace. Small alterations such as removing the roll back or raising the lintel bar maybe necessary if the depth and height of fireplace need altering. If fireplace is too large for the Heatseeker Fire Box the fireplace can be reduced in size by lining it with bricks either at sides or back.
4. At this stage your fireplace will be prepared and the Heatseeker Fire Box should fit with ease into fireplace opening. Before installing fire box, gas and electricity must be provided into fireplace opening for connection to fan and gas coal/log set.

Work to be carried out by a licensed gas fitter.

- A. 15mm gas copper pipe is to be provided into firebox. An access hole is provided in the rear of the Heatseeker Fire Box and is located on the right hand side of fire box looking from the front 100mm in from edge and 100mm above base. A 500mm tail is required into fire box to allow for connection to gas coal/log set.

Electricity: Work to be carried out by a licensed electrician.

- B. The Heatseeker firebox comes supplied with 1.8m of lead with a three pin plug. There are various ways to connect to the power source, your electrician will advise you the best option. Ensure that all electrical wiring stays within 100mm of hearth level so not to subject it to excessively high temperatures.

5. The Heatseeker Fire Box is now ready to be installed. Slide fire box into fireplace opening if there are small gaps around fire box they can be filled with insulation bats, careful not to cover exhaust ports. Once box is located into place seal flange to masonry with either silicon or mortar allowing room to fit removable decorative trim.

INSTALLATION INTO AN EXISTING FIREPLACE

6. A 225mm approved gas cowl is required to be fitted to the top of chimney to stop down draft and rain entering into chimney.
7. Ventilation of 40,000 sq mm must be provided to outside air for the room that the Heatseeker Fire Box is installed. Four standard vents is normally enough, it pays to check that they are clear of blockages.
8. Your Heatseeker Fire Box is now ready to have the Magiglo gas coal/log set connected to the gas supply and commissioned. Refer to specific installation instructions for the Magiglo gas coal/log set provided with the product.

IMPORTANT:

After installing gas coal/log set the following commissioning procedure must take place before leaving premises.

COMMISSIONING PROCEDURE

Once the fire is installed and operational the installer must check for spillage. Carry out the lighting procedure and turn the fire to high. Allow to warm up for 10 minutes and then using a smoke match set 25mm down and 25mm inside of the fire opening run the match across the width of the opening to check that all of the smoke is drawn away.

Repeat the test with doors and windows to the premises open and closed, and with any extractor fans in the same room or adjacent rooms running on high. The fire should continue to clear its combustion products. Also operate any other flued appliances in the same or neighbouring rooms and ensure they continue to function satisfactorily as multiple flues can work against one another.

If spillage is detected during this procedure it could indicate a faulty flue or lack of ventilation. If the problem cannot be rectified immediately, disconnect the appliance, and advise the customer not to use the appliance until the problem has been resolved.

The customer should always be advised of the need for regular servicing and checks to ensure the continued clearance of combustion waste products.

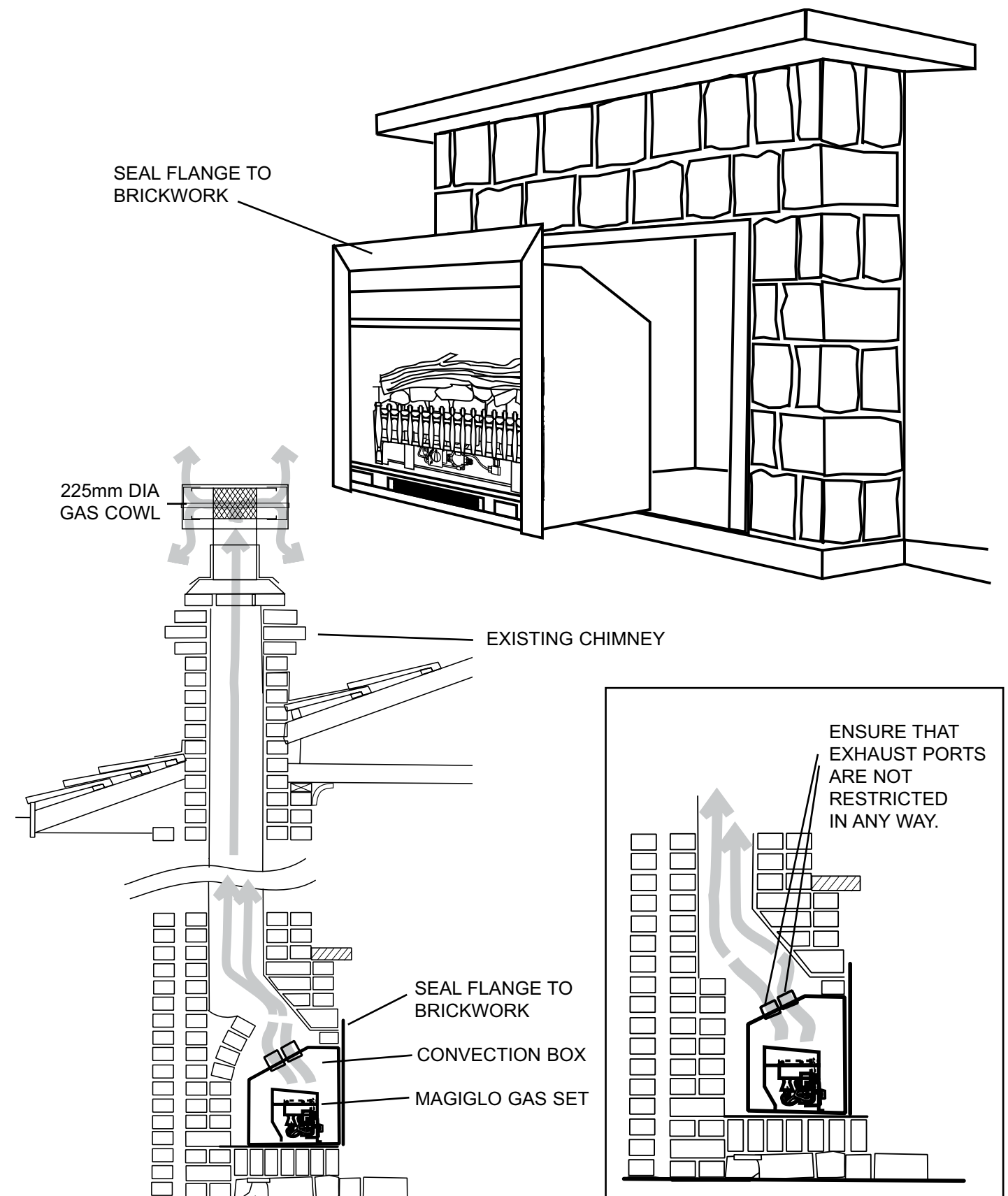
Note: A slight smell may be apparent for first few hours of use. This is due to the heat resistant paint curing. It is recommended to open windows in room for the first lighting.

WARNING: Care must be taken to ensure that any return air register exhaust system does not adversely affect the operation of the appliance or draught of chimney or flue.

“DO NOT place articles on or against this appliance.”

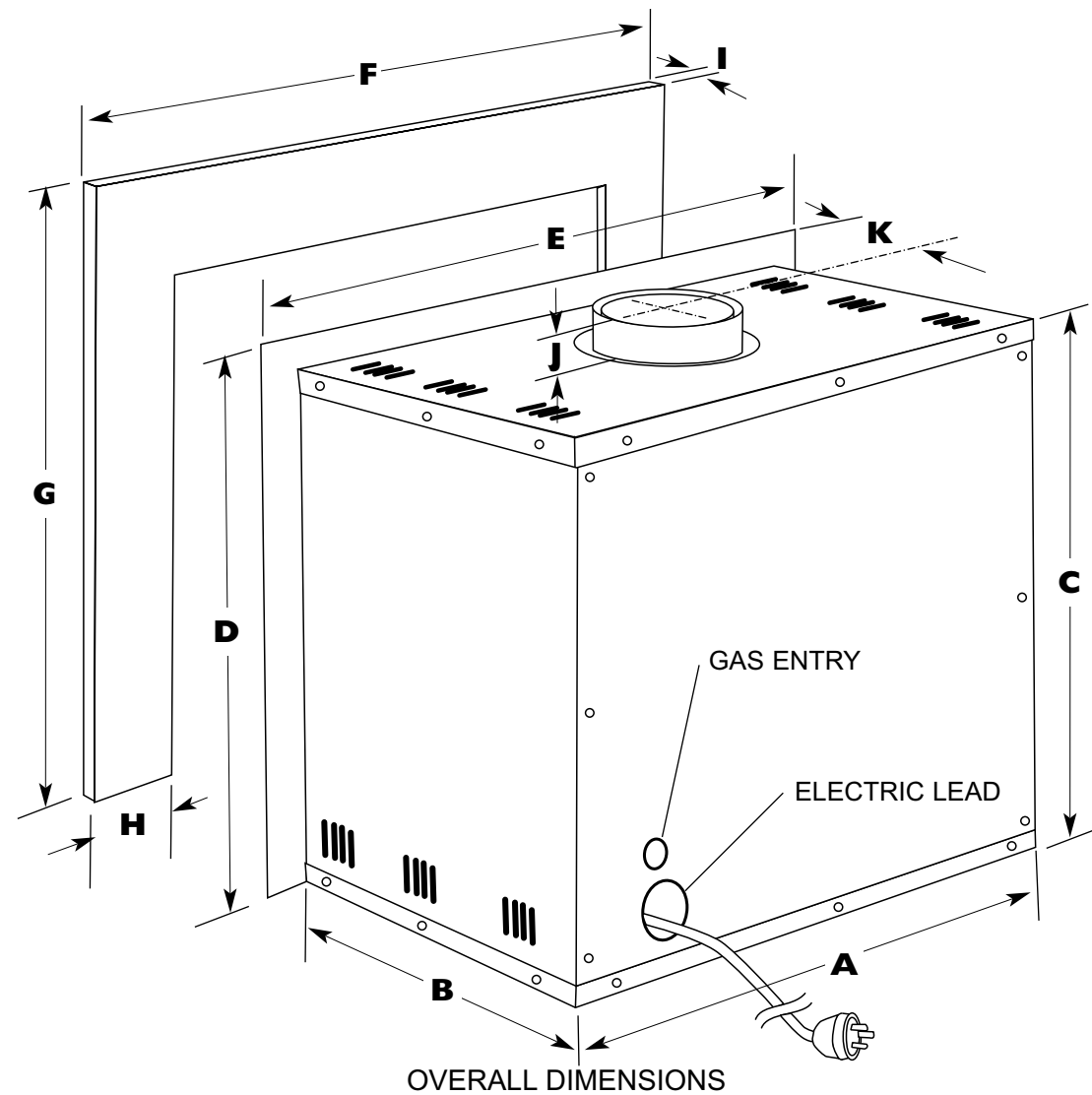
“DO NOT use or store flammable materials near this appliance.”

“DO NOT spray aerosols in the vicinity of this appliance while it is in operation.”



ZERO CLEARANCE HEATSEEKER

Creating a new fireplace in an existing home or new construction can now be achieved simply and cost effectively with the addition of the Heatseeker Zero Clearance Kit and it gives you the flexibility to construct a fireplace of your design in many different locations.



MODEL	A	B	C	D	E	F	G	H	I	J	K
600	675	415	650	670	730	740	670	75	15	30	235
700	775	415	650	670	830	840	670	75	15	30	235
850	930	415	650	670	980	990	670	75	15	30	235

FLUE SIZE

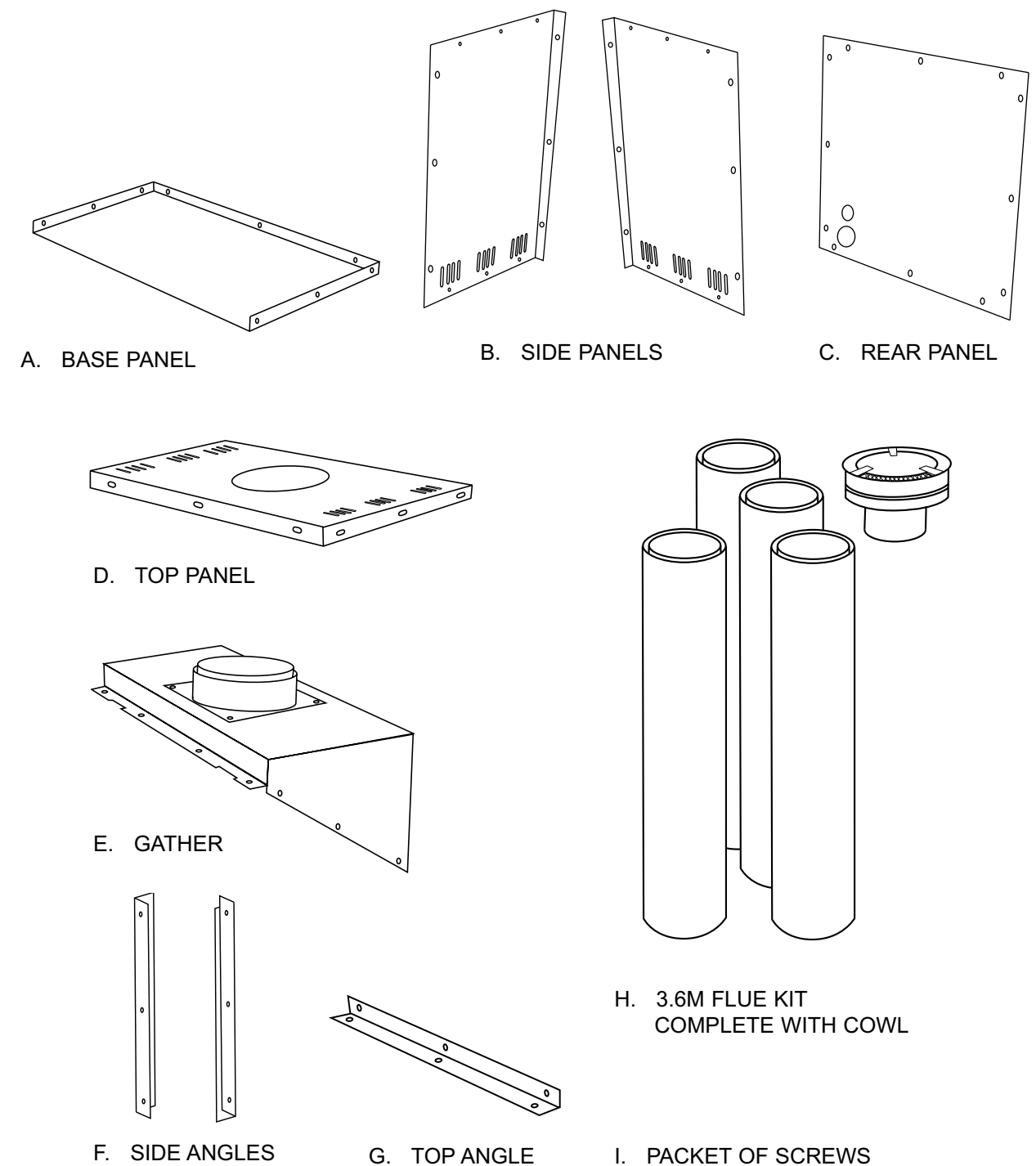
MODEL	INNER	OUTER
600	150mm Gal	200mm Gal
700	150mm Gal	200mm Gal
850	200mm Gal	250mm Gal

ZERO CLEARANCE HEATSEEKER

Creating a new fireplace with a Zero Clearance Heatseeker Gas Fire Box.

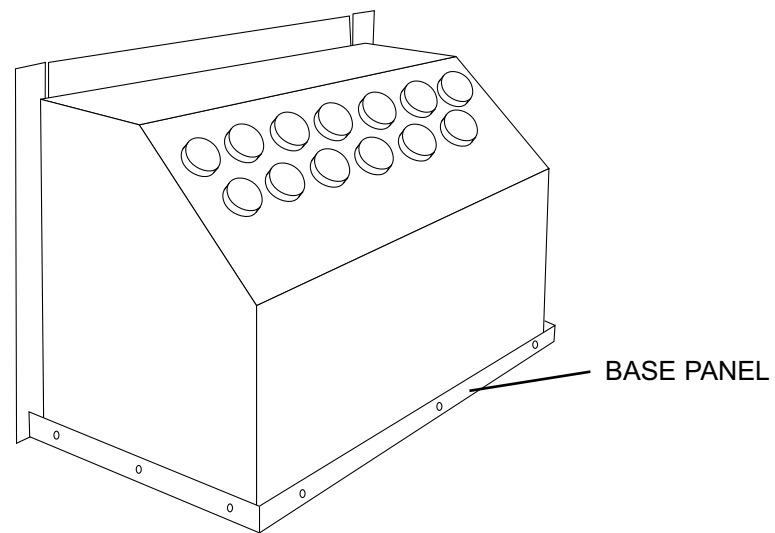
1. Select the size of Heatseeker Fire Box that best complements the room and position it is to be installed in.
2. You will require the Zero Clearance Kit to suit, which is to be fitted to the main fire box the following way.

COMPONENTS



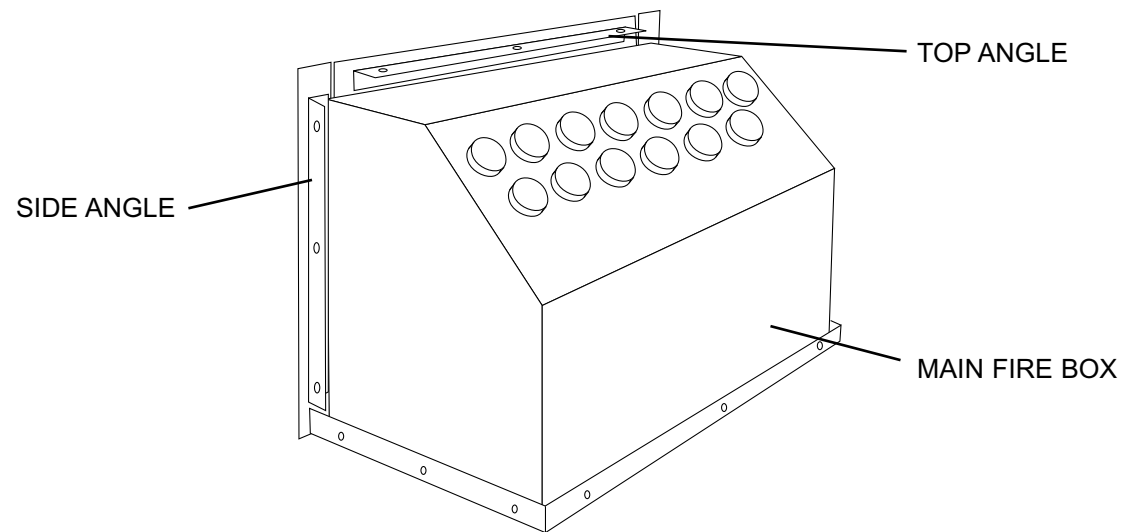
ASSEMBLY OF ZERO CLEARANCE CASING

1. Place main box centrally on base panel.

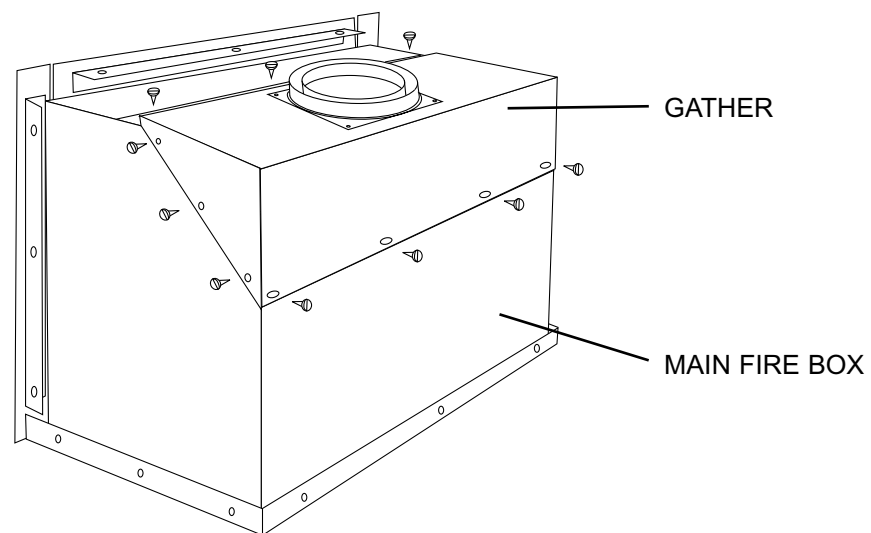


USING SCREWS PROVIDED

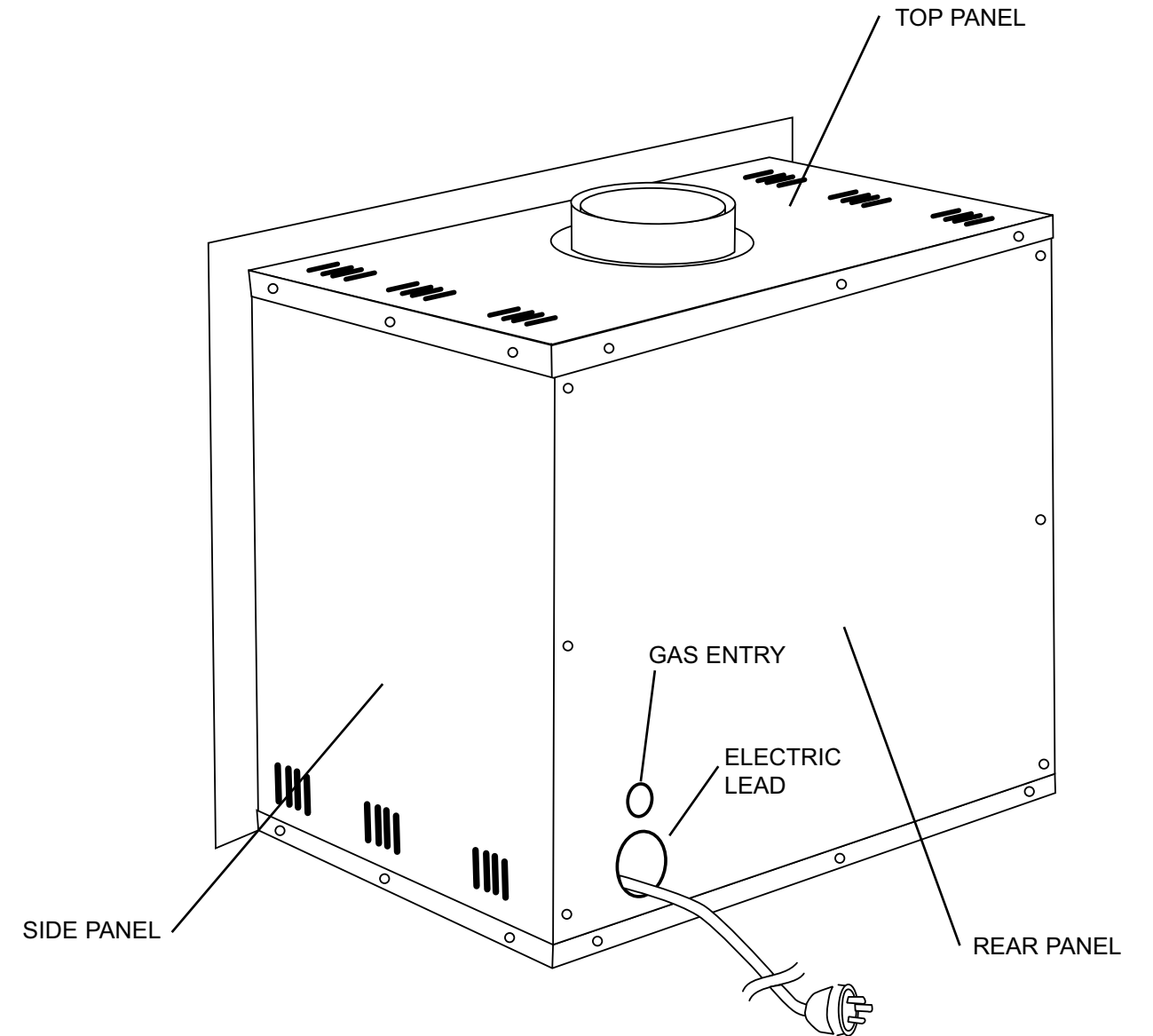
2. Fit side angles and top angle to fire box.



3. Fit gather to main fire box.



4. Complete zero clearance casing installation by fitting the two side panels and rear panel. Making sure you feed the electric lead through hole in rear panel, and finally fit the top panel.



Your Zero Clearance Heatseeker Fire Box is now ready for installation.

With its unique installation flexibility and light weight and with three sizes to choose from, the Heatseeker Gas Fire Box offers endless fireplace design opportunities in a variety of locations.

HEATSEEKER FIRE BOX CLEARANCE FROM COMBUSTIBLES

FLOOR	0mm
SIDES	25mm
BACK	25mm
TOP	100mm
FLUE OUTER	25mm

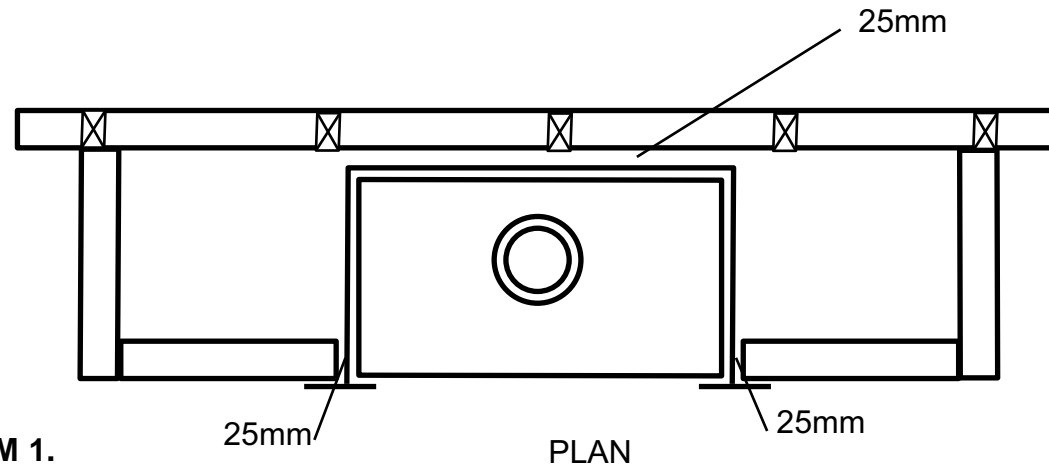


DIAGRAM 1.

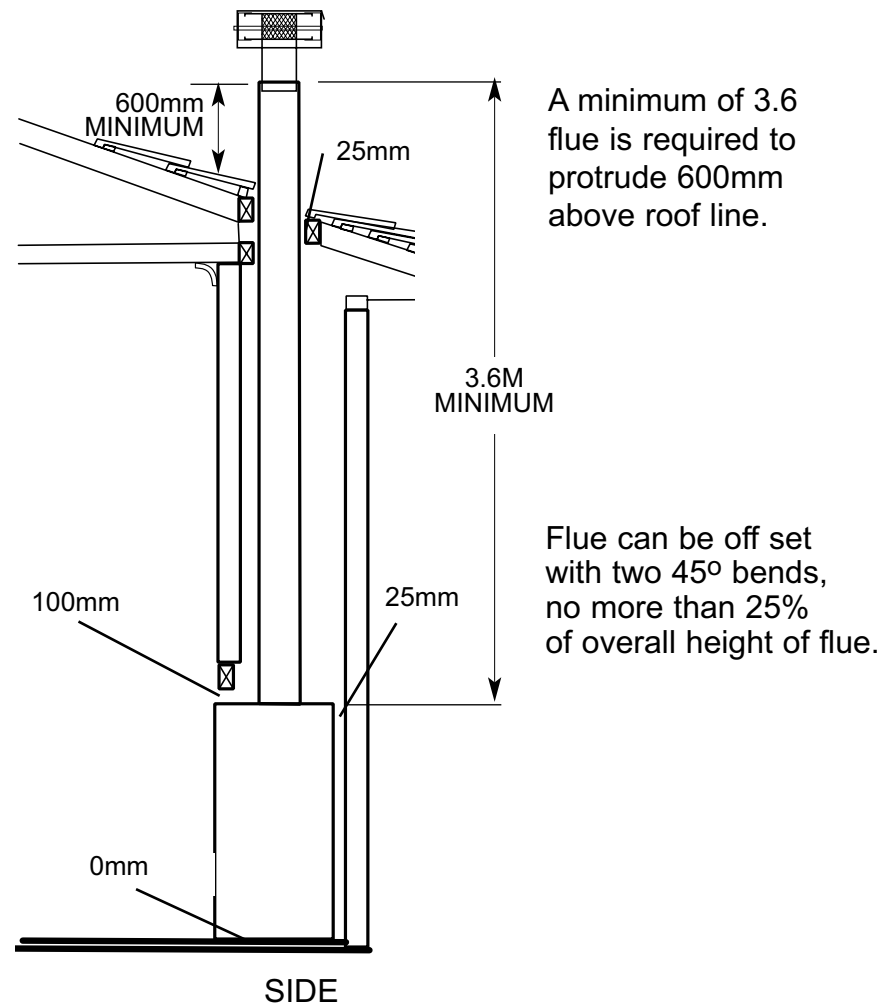


DIAGRAM 2.

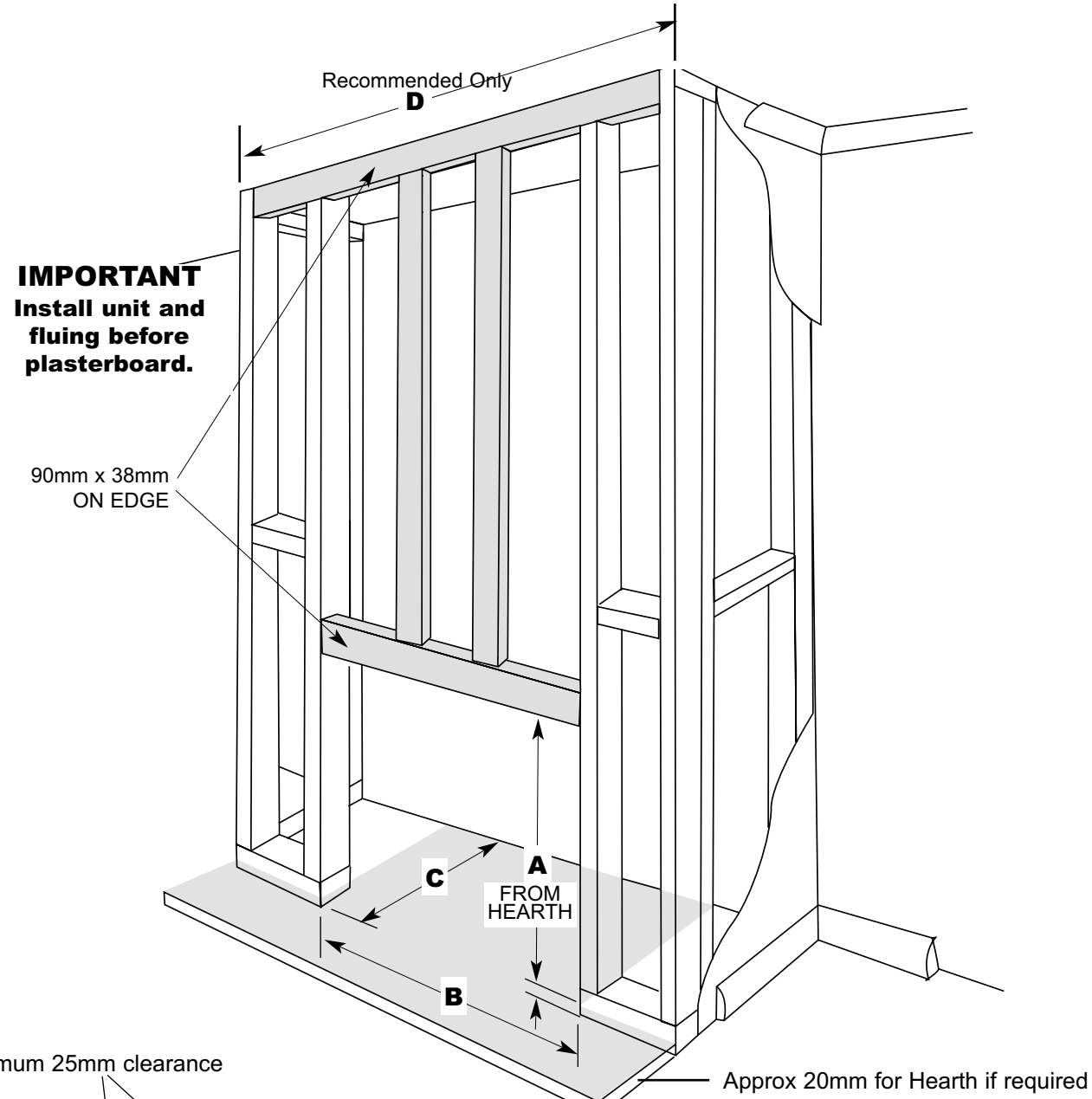
Remember - before cladding your Zero Clearance Heatseeker Fire Box out you will need to provide a gas supply and power which are the same requirements as on page 3 number 4 of these instructions.

Ventilation requirements for the Zero Clearance Heatseeker Fire Box are as follows:

MODEL	EFFECTIVE VENTILATION
600	18,000 sq mm
700	18,000 sq mm
850	32,000 sq mm

When you have completed installing your Zero Clearance Heatseeker Fire Box have your gas fitter install the Magiglo Gas Coal/Log Set as per the specific instructions provided.

FRAMEOUT INTO ROOM SPECIFICATION SHEET 1.



IMPORTANT
Install unit and
fluing before
plasterboard.

90mm x 38mm
ON EDGE

A
FROM
HEARTH

Recommended Only
D

Approx 20mm for Hearth if required

Minimum 25mm clearance

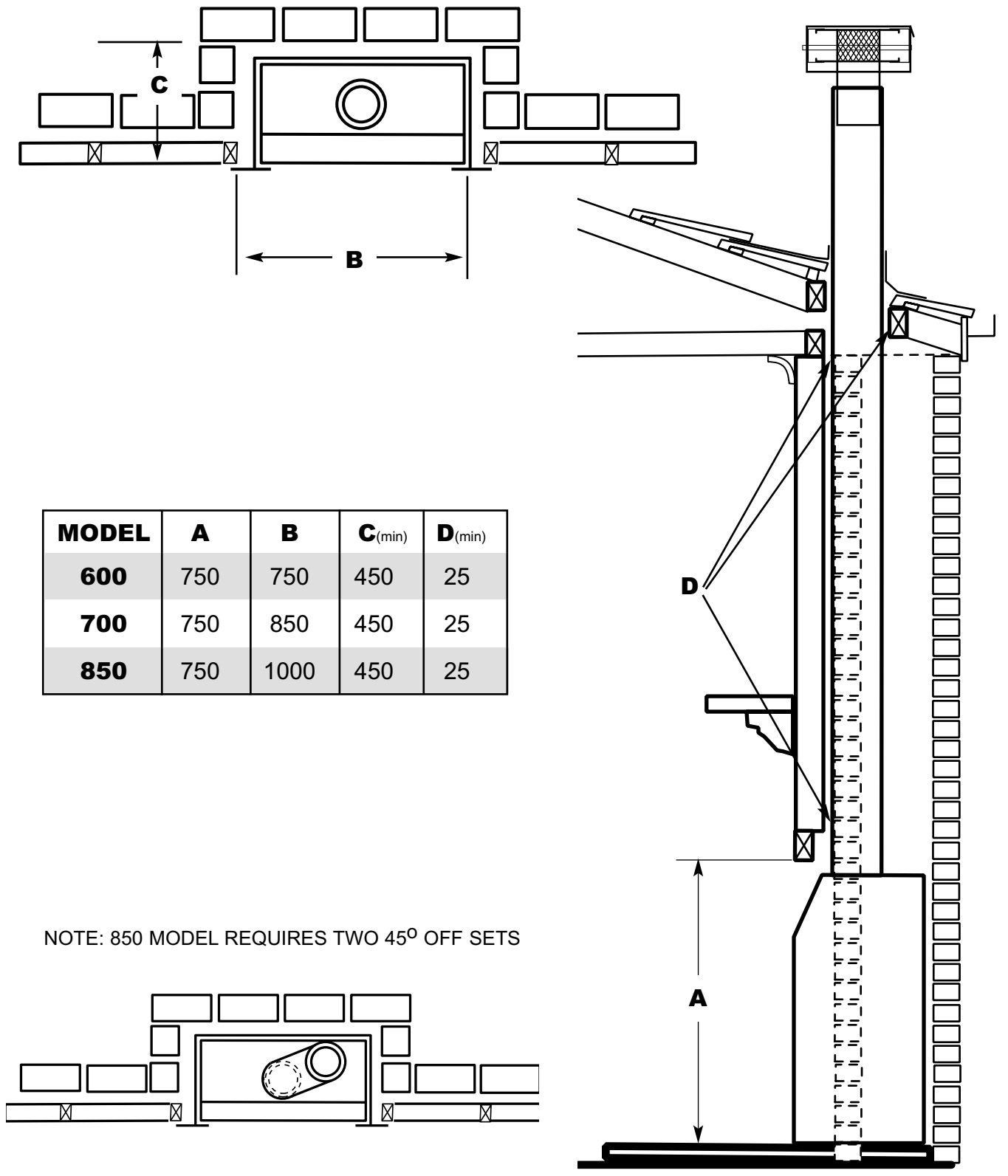


NOTE:
If unit requires trim only.
Frameout remains the same.
Plasterboard to go behind fixing flange on unit.

MODEL	A	B	C	D
600	750	750	450	1800
700	750	850	450	1900
850	750	1000	450	2100

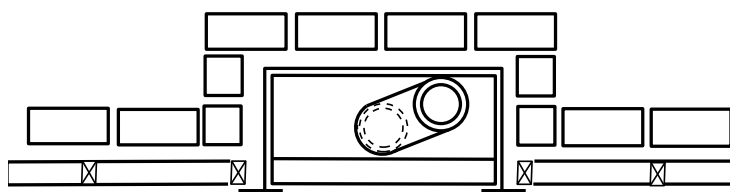
MODEL	A	B
600	655	695
700	655	795
850	655	950

EXTERNAL FLUSH WALL FINISH NEW CONSTRUCTION SPECIFICATION SHEET 2.



MODEL	A	B	C _(min)	D _(min)
600	750	750	450	25
700	750	850	450	25
850	750	1000	450	25

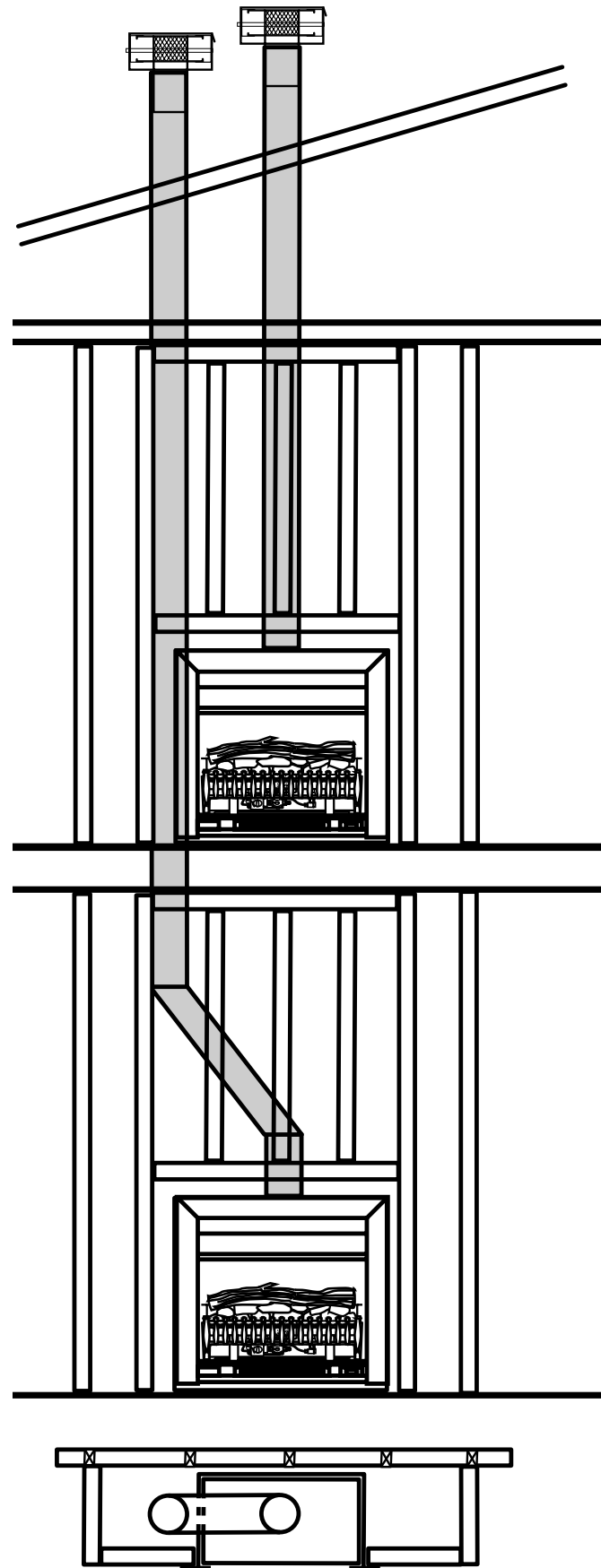
NOTE: 850 MODEL REQUIRES TWO 45° OFF SETS



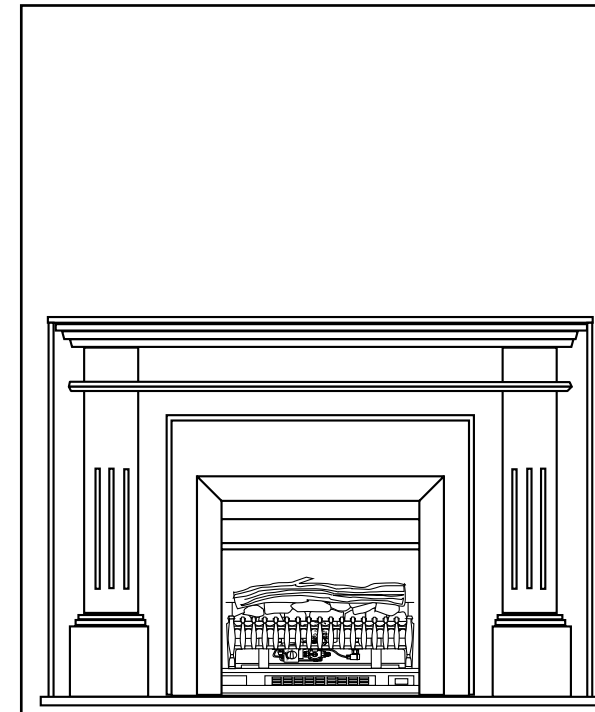
UP AND DOWN INSTALLATION SPECIFICATION SHEET 3.



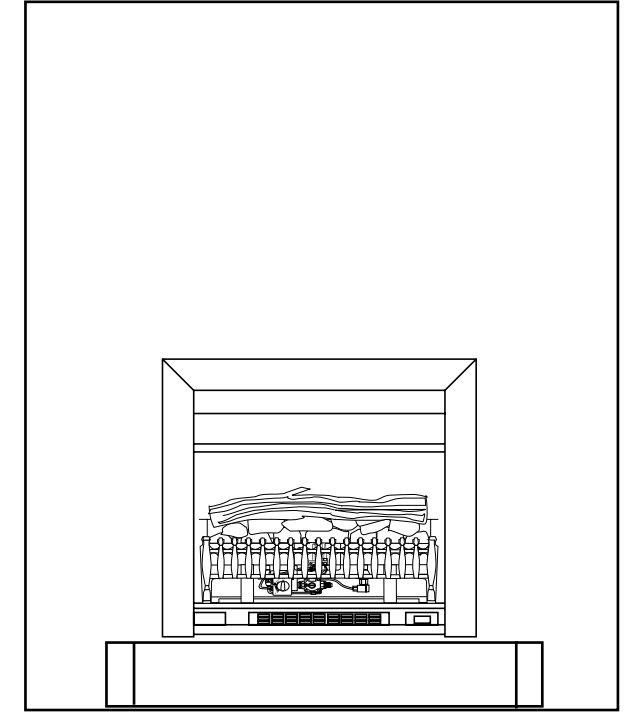
HEATSEEKER DESIGN OPTIONS



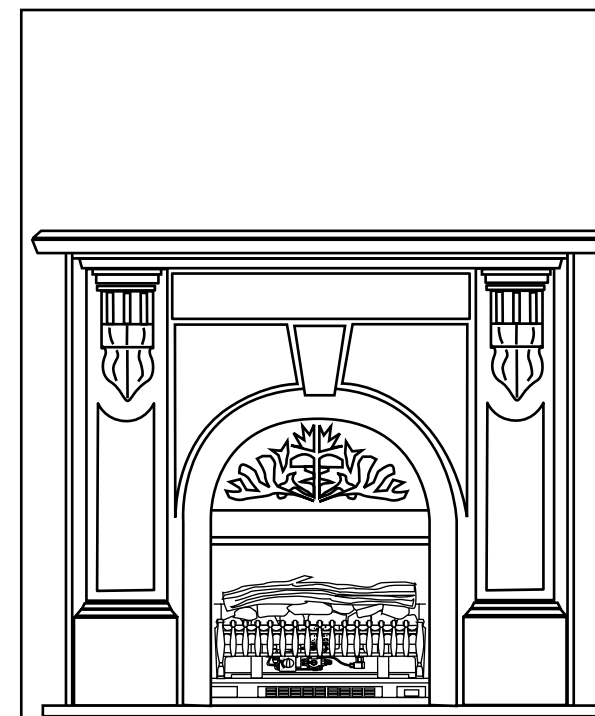
LOWER FLOOR



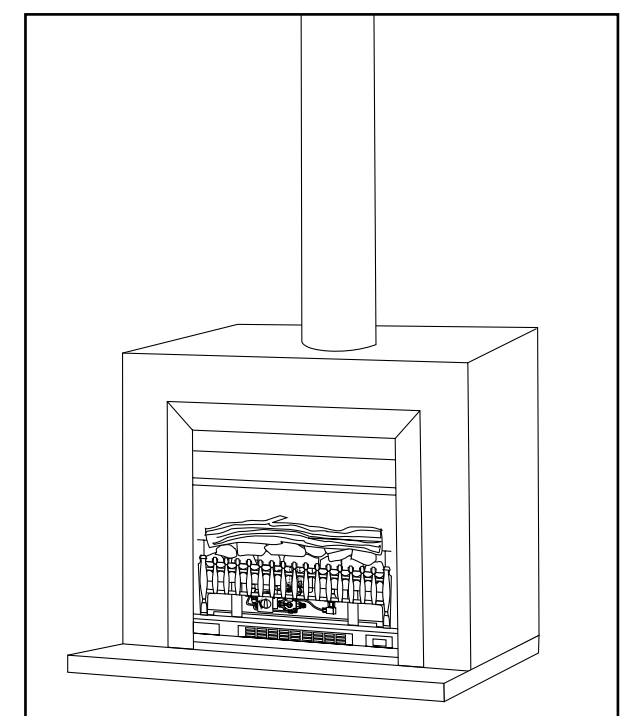
CONTEMPORARY



MODERN



VICTORIAN



FREE STANDING



real flame
the hearth of australia

REAL FLAME PTY LTD. ABN 76 006 311 155

Head Office / Showroom

300 Swan St. Richmond Vic 3121
Ph: (03) 9428 4443 Fax: (03) 9428 4445
Website: www.realflame.com.au
E-mail: info@realflame.com.au

Bayswater - VIC Showroom

21 Malvern St.
Bayswater Vic 3153
Ph: (03) 9738 0399
Fax: (03) 9738 0410

Brisbane - QLD Showroom

7/8 Leopold St.
Fortitude Valley QLD 4006
Ph: (07) 3257 0394
Fax: (07) 3216 1289
E-mail: realflame.qld@bigpond.com

Adelaide - SA Showroom

173 -175 Magill Rd.
Norwood SA 5067
Ph: (08) 8132 0371
Fax: (08) 8132 1687
E-mail: realflamesa@iprimus.com.au

Sydney - NSW Showroom

654 Pacific Highway.
Chatswood NSW 2067
Ph: (02) 8905 0189
Fax: (02) 8905 0192
E-mail: info@realflame.com.au