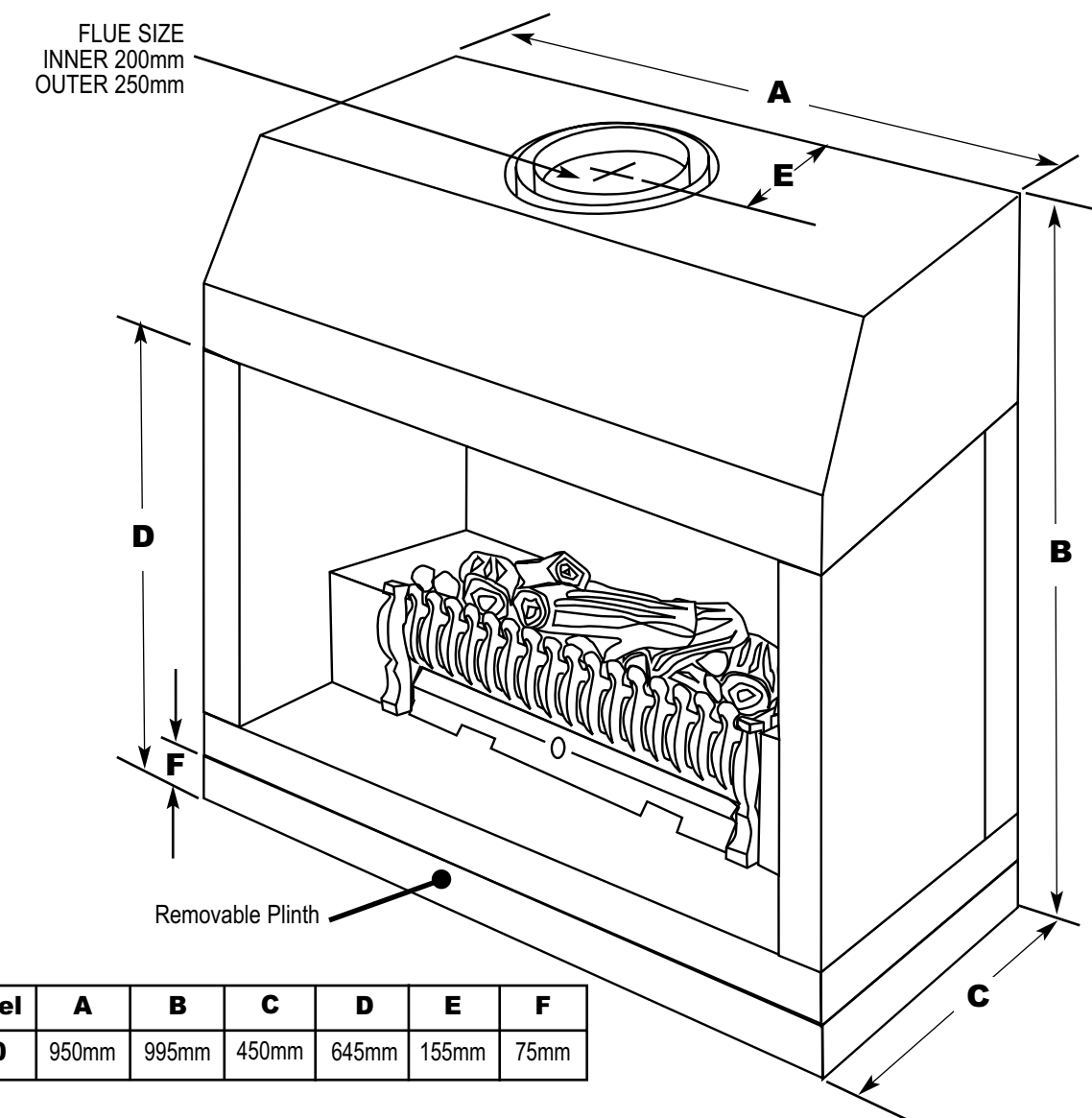
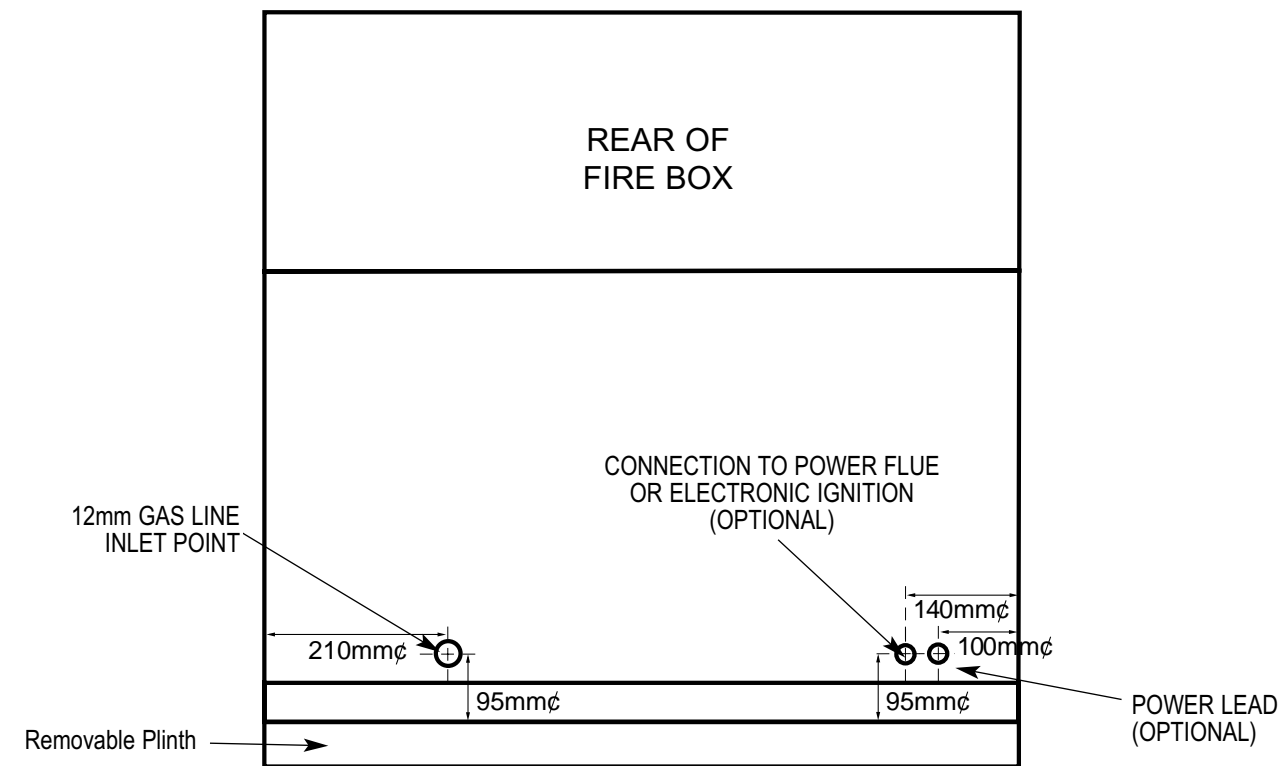


850 "ELEGANCE" FIRE BOX MEASUREMENTS



Model	A	B	C	D	E	F
850	950mm	995mm	450mm	645mm	155mm	75mm

Ventilation requirements for the 850 "Elegance" Fire Box

32,000 SQ MM OF EFFECTIVE VENTILATION

When you have completed installing your "Elegance" Fire Box System have your gas fitter install the Magiglo Gas Coal/Log Set as per the specific instructions provided.



REAL FLAME PTY LTD ABN 76 006 311 155

Head Office / Showroom

300 Swan St. Richmond Vic 3121
Ph: (03) 9428 4443 Fax: (03) 9428 4445
Website: www.realflame.com.au
E-mail: info@realflame.com.au

Bayswater - VIC Showroom

21 Malvern Street, Bayswater Vic 3153
Ph: (03) 9738 0399 Fax: (03) 9738 0410
E-mail: info@realflame.com.au

Brisbane - QLD Showroom

7/8 Leopold Street, Fortitude Valley QLD 4006
Ph: (07) 3257 0394 Fax: (07) 3216 1289
E-mail: realflame.qld@bigpond.com

Adelaide - SA Showroom

173 -175 Magill Road, Norwood SA 5067
Ph: (08) 8132 0371 Fax: (08) 8132 1687
E-mail: realflamesa@iprimus.com.au

Sydney - NSW Showroom

654 Pacific Highway, Chatswood NSW 2067
Ph: (02) 8905 0189 Fax: (02) 8905 0192
E-mail: info@realflame.com.au



ELEGANCE

FIRE BOX CLEARANCE FROM COMBUSTIBLES

FLOOR	0mm
SIDES	25mm
BACK	25mm
TOP	100mm
OUTER FLUE	25mm

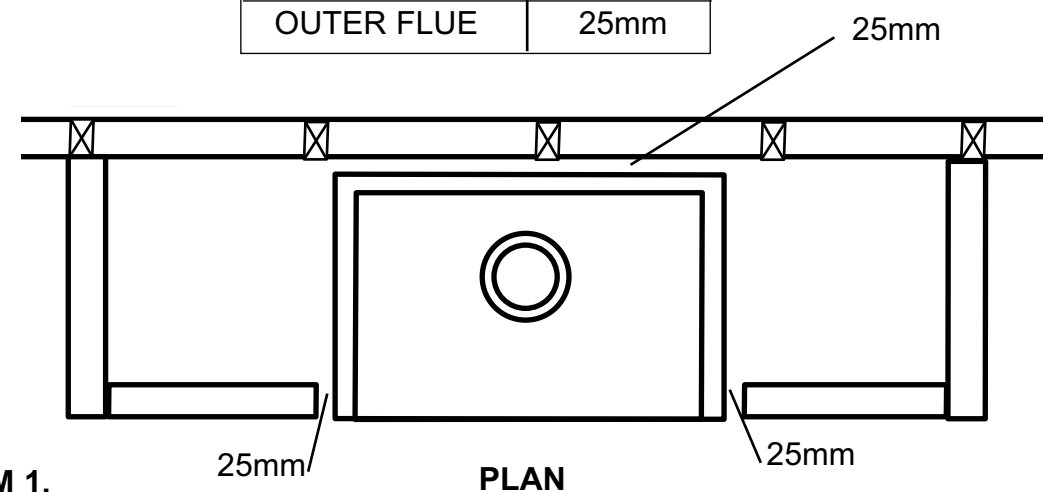
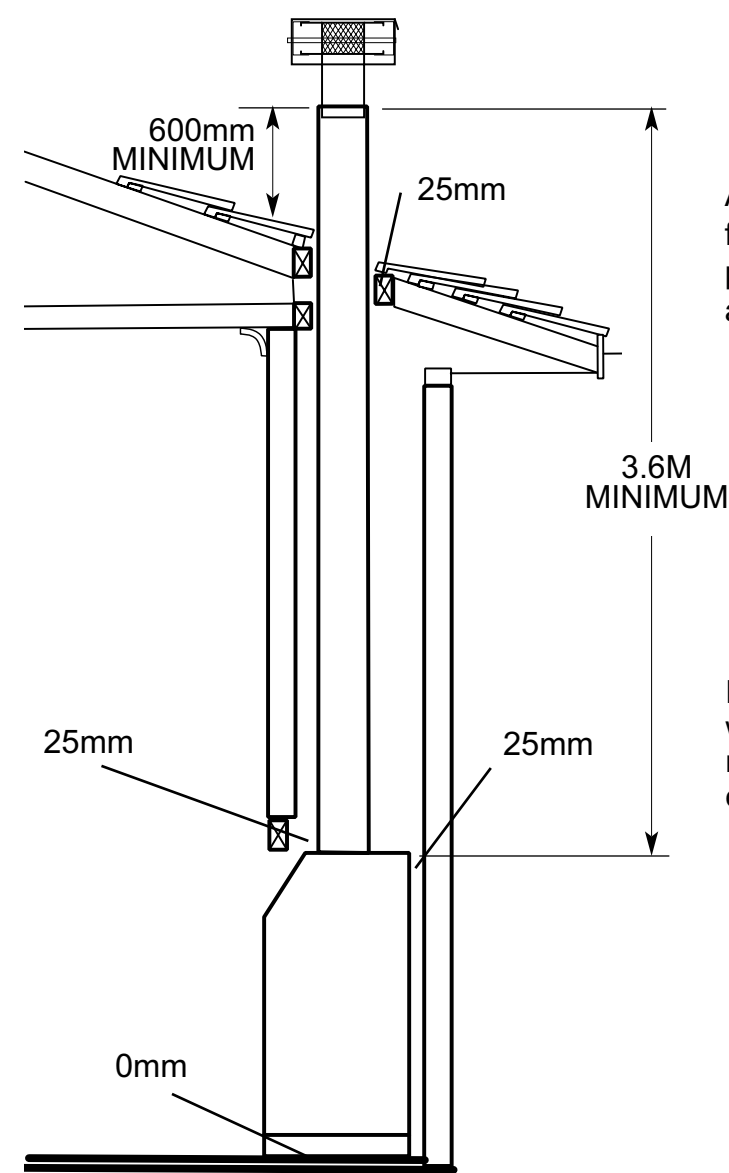


DIAGRAM 1.

PLAN



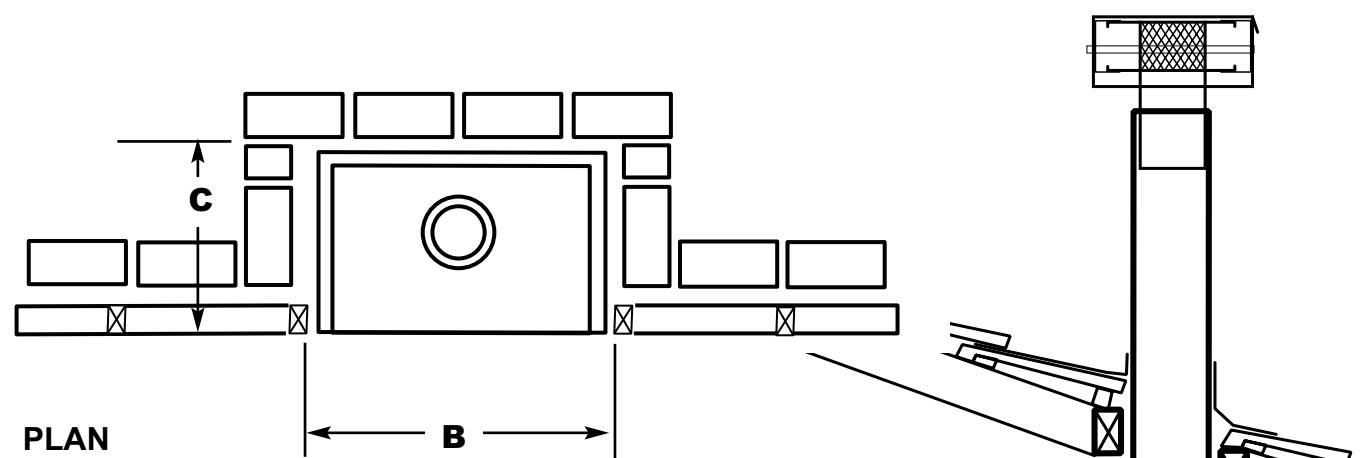
A minimum of 3.6
flue is required to
protrude 600mm
above roof line.

Flue can be off set
with two 45° bends,
no more than 25%
of overall height of flue.

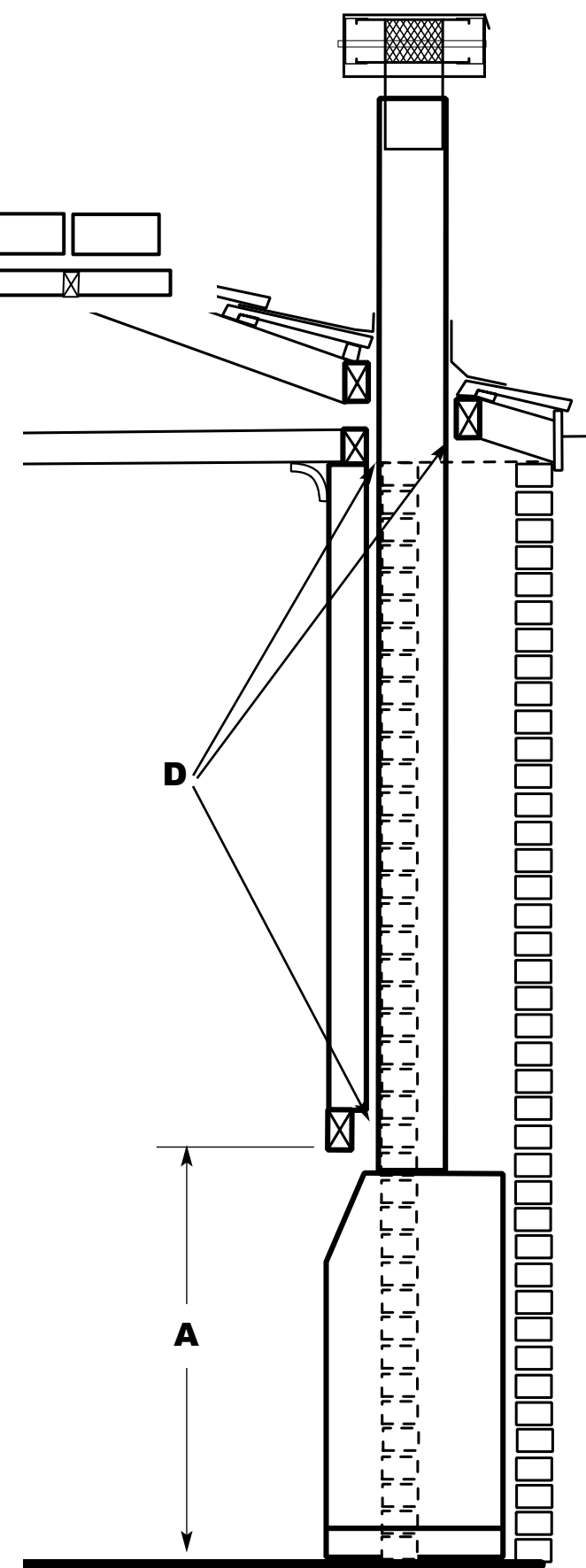
DIAGRAM 2.

SIDE

EXTERNAL FLUSH WALL FINISH NEW CONSTRUCTION



MODEL	A	B _(min)	C	D _(min)
850	1050	1000	475	25



SIDE

FRAME OUT INTO ROOM

FRAME OUT			
A	B	C	D
1050mm	1000mm	475mm	2100mm

IMPORTANT
Install unit and flueing
before plasterboard.

90mm x 38mm
ON EDGE

Minimum 25mm clearance

