



real flame
the hearth of australia

REAL FLAME PTY LTD

ABN 76 006 311 155

Head Office / Showroom

300 Swan St. Richmond Vic 3121
Ph: (03) 9428 4443 Fax: (03) 9428 4445
Website: www.realflame.com.au
E-mail: info@realflame.com.au

Bayswater - VIC Showroom

21 Malvern St.
Bayswater Vic 3153
Ph: (03) 9738 0399
Fax: (03) 9738 0410

Brisbane - QLD Showroom

7/8 Leopold St.
Fortitude Valley QLD 4006
Ph: (07) 3257 0394
Fax: (07) 3216 1289
E-mail: realflame.qld@bigpond.com

Adelaide - SA Showroom

173 -175 Magill Rd.
Norwood SA 5067
Ph: (08) 8132 0371
Fax: (08) 8132 1687
E-mail: realflamesa@iprimus.com.au

Sydney - NSW Showroom

654 Pacific Highway.
Chatswood NSW 2067
Ph: (02) 8905 0189
Fax: (02) 8905 0192
E-mail: info@realflame.com.au

Geelong

1/2A Gordon Avenue.
Geelong West Vic 3218
Ph/Fax: 5229 0844
E-mail: realflamegeelong@hotmail.com.au



real flame
the hearth of australia

CAPTIVA BALANCED FLUE

INSTALLATION INSTRUCTIONS & SPECIFICATIONS

INSTALLING AND OPERATING YOUR GAS-FIRED BALANCED FLUE SPACE HEATER.

IMPORTANT

Installation Of this appliance should only be carried out by an authorized person in accordance with the manufacturer’s instructions, local gas fitting regulations, AS5601-2004 code for gas burning appliances and any other relevant Statutory Regulations.

MODEL

“Captiva”

DATA PLATE

The Data Plate is affixed to the base of the unit for reference to gas pressure and consumption.

Model	Captiva
-------	---------

GAS TYPE		
NATURAL GAS @ 0.90 kpa TEST PRESSURE POINT (HIGH)	Injector Size 2 X 1.83	Gas Consumption Mj/h 29
LPG @ 2.50 kpa TEST PRESSURE POINT (HIGH)	Injector Size 2 X 0.95	Gas Consumption Mj/h 23
NATURAL GAS @ 0.40 kpa TEST PRESSURE POINT (LOW)	Injector Size 2 X 1.83	Gas Consumption Mj/h 19
LPG @ 2.20 kpa TEST PRESSURE POINT (LOW)	Injector Size 2 X 0.95	Gas Consumption Mj/h 20

FOR YOUR SAFETY

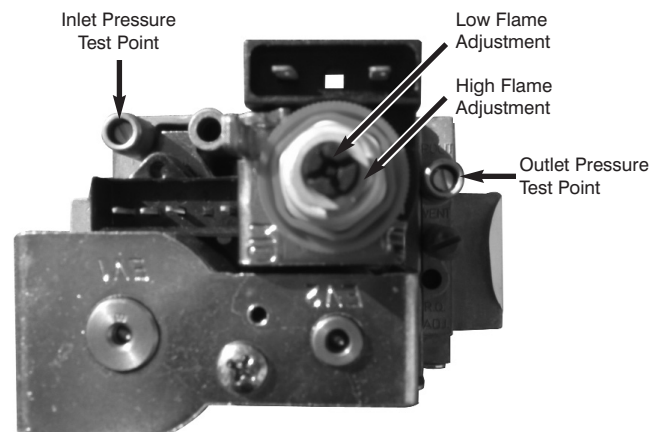
- Do not place articles on or against this appliance.
- Do not use or store inflammable materials near this appliance.
- Do not spray aerosols in the vicinity of this appliance while it is in operation.

WARNING

Improper installation, adjustment, alteration, service or maintenance can cause injury or property damage. Refer to this manual. For assistance or additional information consult a qualified installer, service agency or the gas supplier.

IMPORTANT NOTES FOR INSTALLERS

- When the appliance has been installed the plumber must check all gas connections for gas leaks and test the appliance and all its functions before leaving.
- When setting high and low pressure on the Captiva refer to the picture at right for adjustment.



INSTALLATION INSTRUCTIONS

INTRODUCTION

The Real Flame “Captiva” is a log/coal or pebble effect space heater for use with **Natural Gas and Propane**.

The Real Flame warranty will be voided by, and Real Flame disclaims any responsibility for the following actions:

- Modification of the space heater and/or components including balanced flue assembly or glass door.
- Use of any component part not manufactured or approved by Real Flame in combination with this “Captiva” fireplace system.
- Installation other than as instructed in this manual.

CAUTIONS

- Due to its high operating temperature, the appliance should be located out of traffic and away from furniture and draperies.
- Children and adults should be alerted to the hazards of the high surface temperature, which could cause burns of clothing ignition.
- Young children should be carefully supervised when they are in the same room as the appliance.
- Clothing or other flammable materials should not be placed on or near the appliance.

SELECTING YOUR APPLIANCE LOCATION

Your appliance may be installed in any location that is free of air conditioning ducts, electrical wiring and plumbing. Safety, as well as efficiency of operation, must be considered when selecting the heater location. Try to select a location that does not interfere with room traffic, has adequate ventilation, and offers access for the Balanced Flue terminal installation. Refer to AS5601-2004 for minimum clearances for Balanced Flue termination.

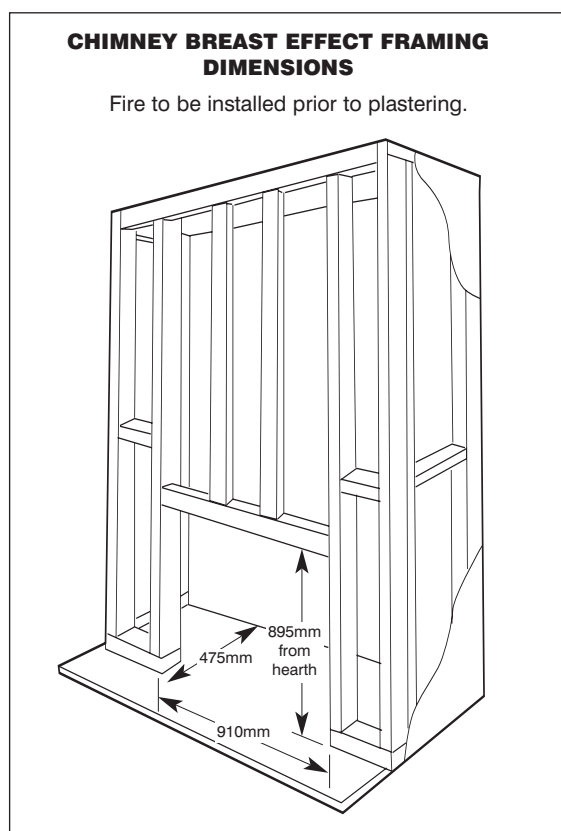
CLEARANCES TO COMBUSTIBLES

The “Captiva” clearances to combustible materials are:

- 0 mm at rear.
- 25 mm at sides.
- 100 mm at the top.
- 0 mm on the floor.

WARNING

When this appliance is installed directly on carpeting, tile or other combustible materials other than wood flooring, the appliance should be installed on a metal or wood panel extending the full width and depth of the appliance.

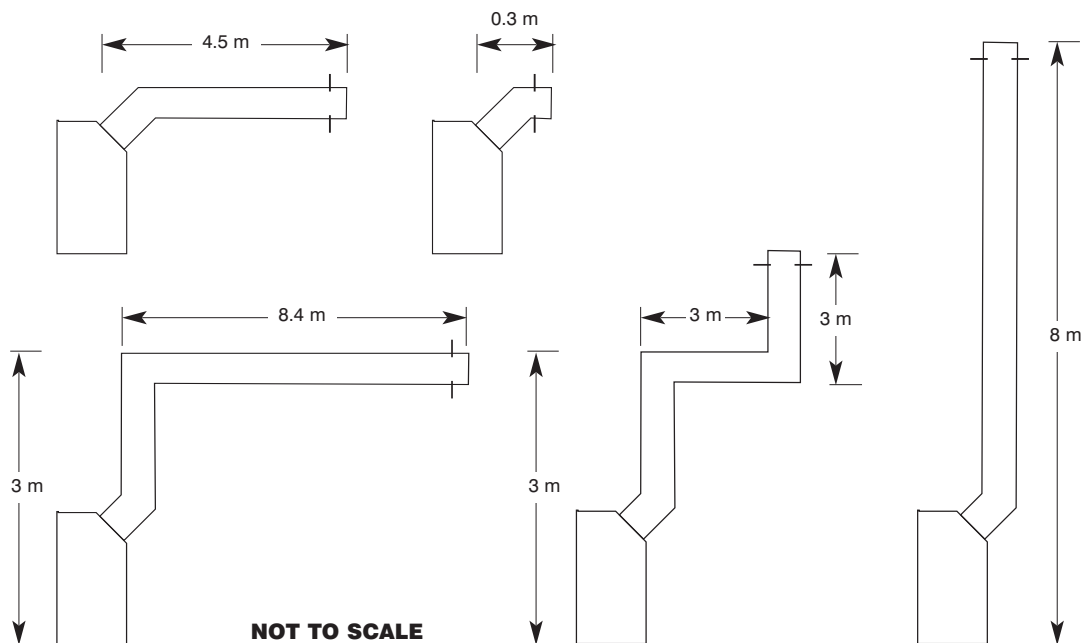


INSTALLATION INSTRUCTIONS (continued)

INSTALLATION OF VERTICAL VENTING

Vertical terminations must be installed with the following clearances:

- Minimum of 500 mm from the nearest part of the roof (Measurement is taken from the bottom of the termination).
- Minimum of 1500 mm from any mechanical air inlet.
- Minimum of 500 mm from any building structure or obstruction facing the termination.
- Maximum vent height is 8.9 meters from the base of the unit.
- Minimum clearances 50mm from vent to all combustible materials must be maintained.
- 2 x 45° off sets allowed, must not exceed 25% of the height.
e.g. Typical vent installation of 8.9 meters from base of unit;
25% of 8.9 meters = 2.335 meters.



BALANCED FLUE TERMINATION LOCATION

This section is used to determine where your Balanced Flue termination will be located.:

- Flue terminations shall not be recessed in walls or sidings.
- **EXTREMELY IMPORTANT:** In heavy snow areas take extra care to prevent blocking flue termination with snow removal equipment.
- Flue gases exiting flue terminals are very hot and must not be restricted to assure fireplace combustion is not affected.
- Do not place, build any obstruction, plant any bushes or for any reason attempt to conceal the flue termination. To do so will affect the operation of the fireplace and may be hazardous.
- This unit must always vent directly to outdoors.

CAUTIONS AND REQUIREMENTS

All flueing must maintain a clearance of 50mm from combustible materials.

NOTE: It is imperative for satisfactory operation of the “Captiva” space heater that no flueing components be modified in any way. All components have been manufactured to eliminate the need for modification when properly selected and installed.

INSTALLATION INSTRUCTIONS (continued)

INSTALLING THE GAS LINE

The gas line must be installed before finishing the installation of the “Captiva” space heater. The gas control is mounted behind the front bottom trims. A 15 mm copper union (supplied) is fitted to the valve for connection of the 1/2” gas line which enters through the access hole on the left hand side of the unit.

PREPARING FOR OPERATION

If the power point is located within a cavity an isolation switch is required outside the cavity to allow the service technician to isolate the power before servicing the appliance. (An isolation switch is required as per AS-5601 Section 5,2,11.).

When the “Captiva” has been installed into its position, plug the three pin plug into the power point within the cavity or other suitable power supply.

Mount the wall switch in a suitable location within three meters of the unit.

IMPORTANT: Ensure that the wall switches are mounted at such a height or location where young children cannot reach them.

Remove the door of the unit and position the coals and logs as shown on page 8.

Replace the door and ensure that the two clips are attached to the bottom of the door (See page 7).

OPERATING INSTRUCTIONS

SPECIFICATIONS

The “Captiva” space heater is fitted with a SIT 843 SIGMA ContRol valve, electronic ignition.

- 230 Volt, 50 Hz rectified AC
- Has an ambient temperature of 60°C
- Has a maximum gas inlet pressure of 60 mbar
- Has a high/low solenoid controlled flame.

The gas valve is fitted with a SIT 0.537.402 ABC Electronic Flame Control Device.

- Has an ambient working temperature of +60°C
- Supply voltage is 230 Volt AC -15%, +10% 50-50 Hz
- Recommended spark gap is 2-4 mm.

The fan fitted to this unit

- Is 240 Volt / 50 Hz
- Has an ambient temperature of 50°C.

All wiring has been carried out at manufacture, the unit has:

- A three pin lead with plug which comes out of the right side of unit.
- A three gang wall plate and switches for:
 1. Heat ON/OFF
 2. Fan HIGH/LOW
 3. Flame HIGH/LOW

The wall switch comes with three meters of cord to enable the switches to be wall mounted at a suitable location.

The fan ON/OFF is controlled by Thermostat and will automatically turn on and off.

OPERATING INSTRUCTIONS (continued)

FOR YOUR SAFETY READ BEFORE LIGHTING

- Check the appliance for gas leaks.
- Check that all electrical connections are secure.
- Ensure that the on/off switch on the wall switch is in the off position.
- Ensure that the high/low switch is in the high position.
- The fan high/low can be in either position.

LIGHTING INSTRUCTIONS

1. Plug the 3 pin plug into the power socket and turn to the ON position.
2. Turn the heat switch to the ON position. After a short delay the electronic sparker will activate and the fire will light up.
3. If the fire fails to light at the first attempt, turn the heat switch to OFF, wait a short period of time and then turn the heat switch to ON, again the sparker will activate and the fire will light.
4. To turn the fire OFF, turn the heat switch to the OFF position.
5. Heat HIGH/LOW - the flame can be turned from high to low and low to high by use of the heat HIGH/LOW switch.

FAN

The fan is thermostatically controlled and will automatically switch on after about 15 minutes. The fan has two speeds and the speed can be changed by using the fan HI/LOW switch. When the fire has been turned off the fan will continue to run until the heater cools down, this may take up to 40 minutes, the fan will then turn off. When the fan comes on it will start at what ever fan speed you had set when the fire was turned off.

MAINTENANCE

It is recommended that you have your "Captiva" installation inspected yearly, including a visual check of the flue system and the flame pattern.

CLEANING

When your "Captiva" is first activated some smoke and visible film, may occur, a burning smell will also be apparent, this is a normal condition of heat burning off protective coatings on new metal.

Products of combustion do deposit a visible film on the glass which must be cleaned periodically. Film can easily be removed by removing the door and cleaning with a damp rag. Household cleaning products should not be used.

WARNING

Do not attempt to clean glass when hot. Do not clean glass with abrasive materials as any glass etching may cause premature glass failure.

CAUTION

- Fireplace gas control must be in the "OFF" position and main burner extinguished when cleaning appliance with vacuum.
- Door and logs can get very hot, handle only when logs are cool.

MAINTENANCE (continued)

Removal of Door

To remove door open the grill door at the bottom of the unit, remove the two spring loaded catches under the door, pull the door out towards you and lift it up, the door will then come away from the unit. When replacing the door ensure that the top hook bracket fits securely, then push the door in ensuring that the door is completely sealed, replace the spring loaded brackets.

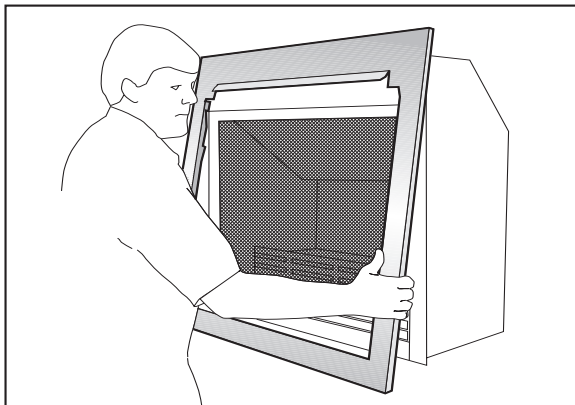


Figure (1) Lift and remove stainless steel framed glass front

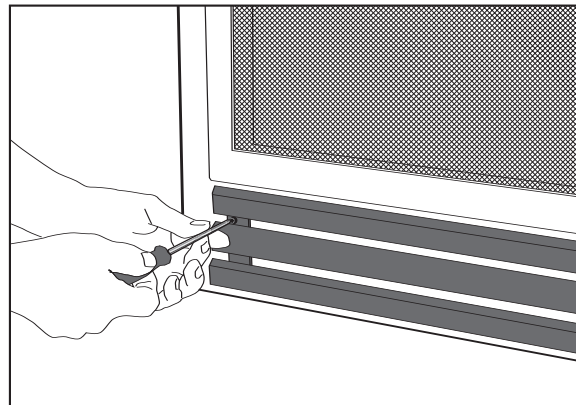


Figure (2) Remove screws at either end of lower slats and remove slats.

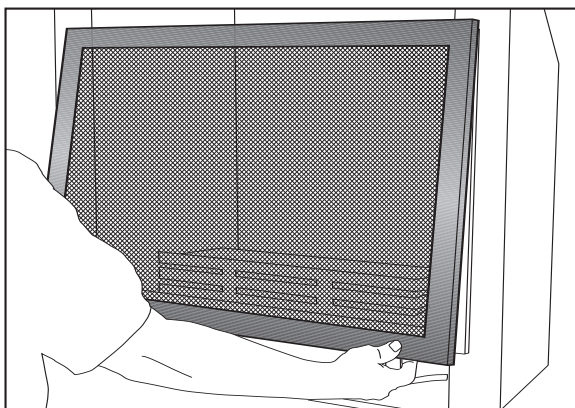


Figure (3) Pull the grille door outwards at the bottom and then lift to remove.

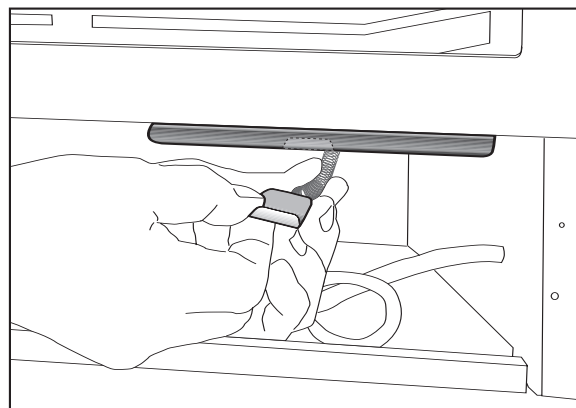


Figure (4) Release spring catch at either end of inner frame.

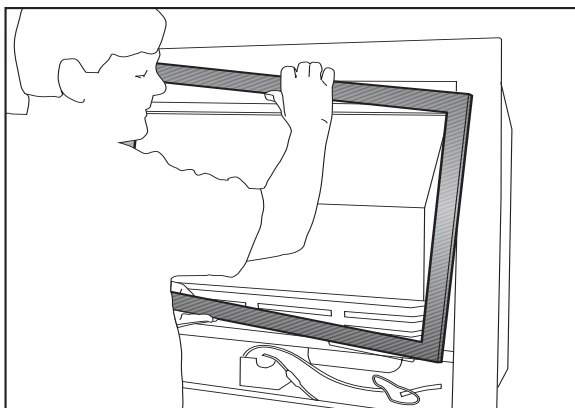


Figure (5) Remove inner frame.

LOGSET PLACEMENT

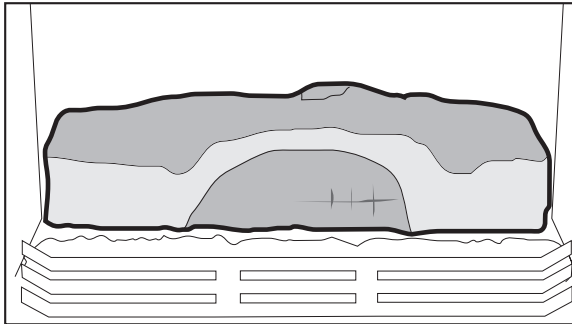


Figure (1) Remove box containing logset, and unpack. Place the large log at the rear of the burner just in front of the 2 square tabs on the log support panel.

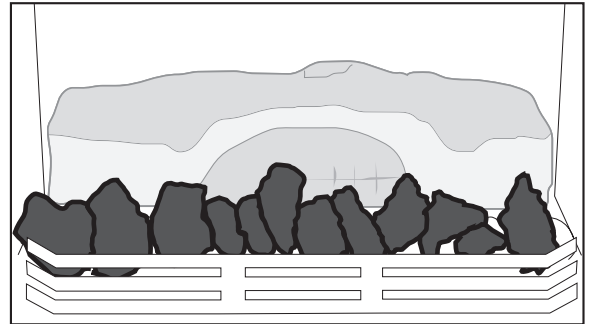


Figure (2) Place the 20 coals on top of the white ceramic blanket. Ensure front row of coals are placed 10-12mm away from the front grille.

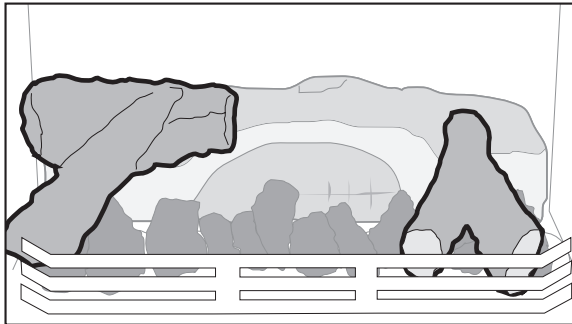


Figure (3) Place the 2 'Y' shaped logs as shown, the larger on the left. Position the 'Y' end of the logs towards the front of the heater.

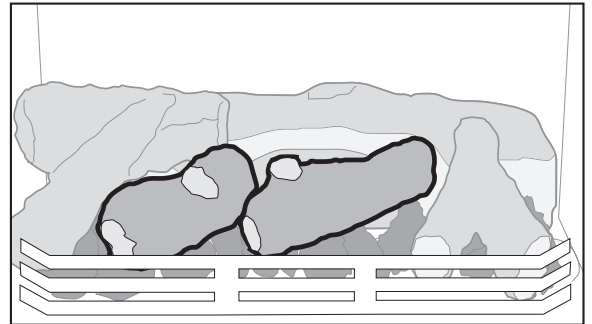


Figure (9) Place the 2 straight logs as shown

TROUBLESHOOTING

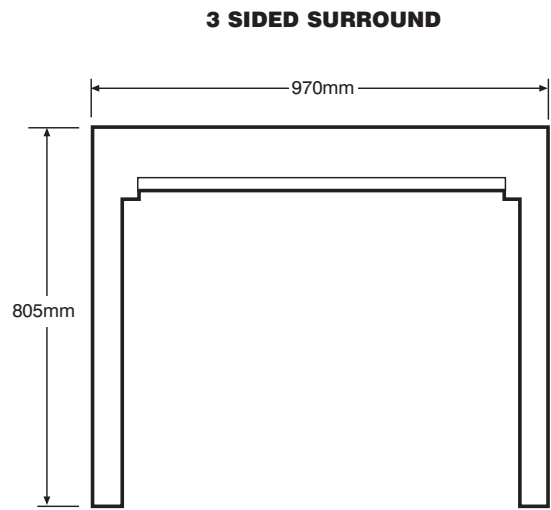
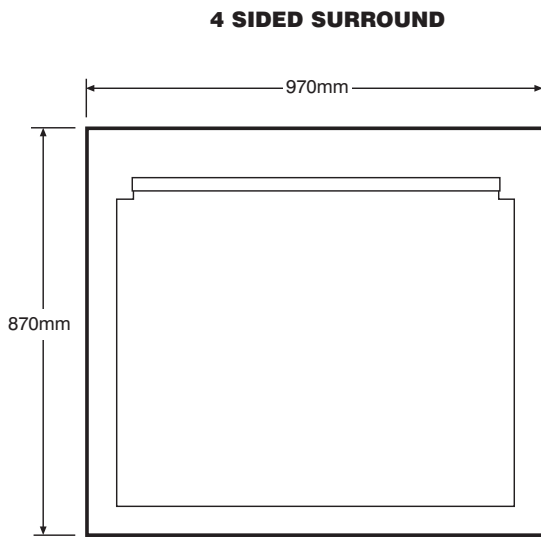
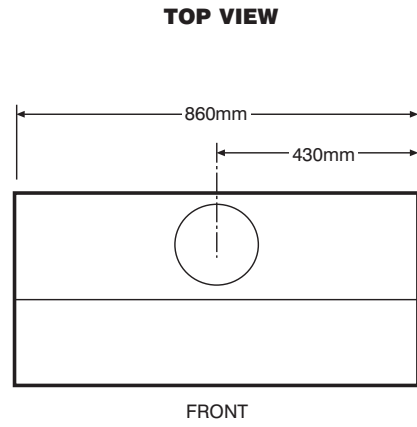
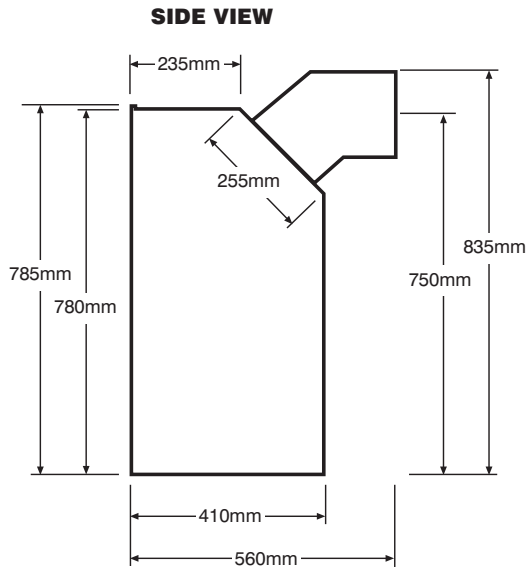
Problem	Corrective Action
Fire won't ignite.	<ol style="list-style-type: none"> 1. Check that power is connected 2. Check that all leads to the module are connected correctly and secure. 3. Check that the gas line has been purged and free of air.
Fire lights and after a few seconds goes out.	<ol style="list-style-type: none"> 1. Check that nothing is touching the flame sensor. 2. Check the polarity of the electrical supply.
Sparkers activate but fire won't ignite.	<ol style="list-style-type: none"> 1. Check that sparkers are at least 5mm from the burner channel. 2. Ensure that gas is getting to the burner.

If your "Captiva" still does not operate correctly, consult your dealer or the manufacturer.

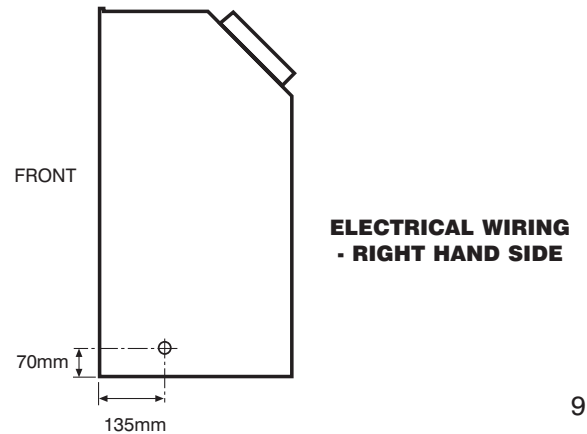
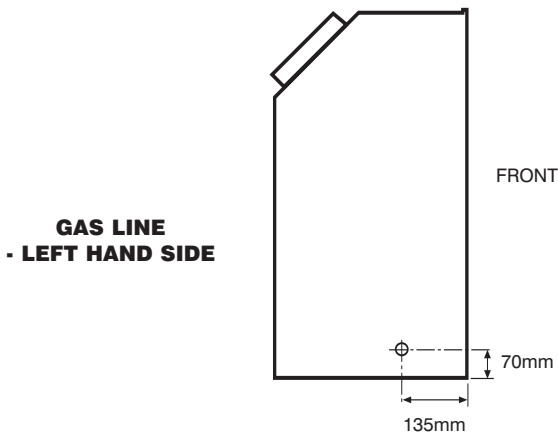
All service and repairs should be performed by an authorised agency.

All spare parts and optional trim finishes are available from Real Flame Pty Ltd or your local dealer.

DIMENSIONS



CONNECTIONS



WARRANTY

The “Captiva” has a 10 year limited warranty on the firebox, a five year warranty on the main burner and one year warranty on the coals and logs, gas control valve glass door and fan.

WARNING

The “Captiva” has a primary safety guard fitted over the glass door.

The guard is fitted to this appliance to reduce the risk of fire or injury from burns and no part of it should be permanently removed.

For protection of young children or the infirm, a secondary guard is required.

