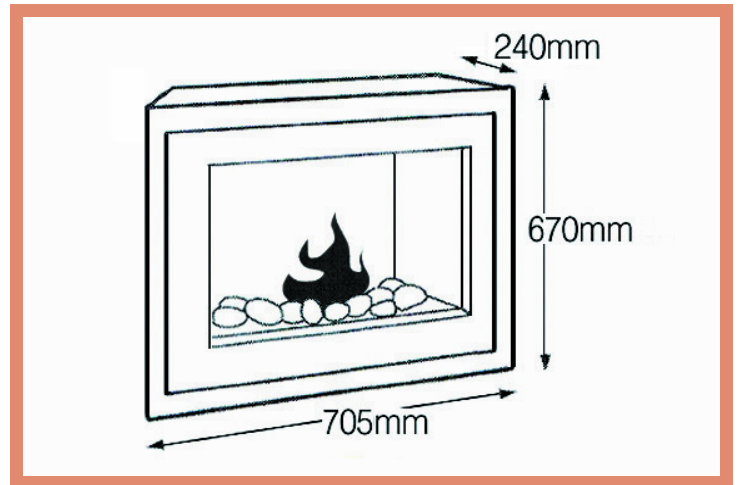


ODYSSEY Electric Fireplace



OMNI ARGENTO
Electric Fireplace

ODYSSEY Specifications



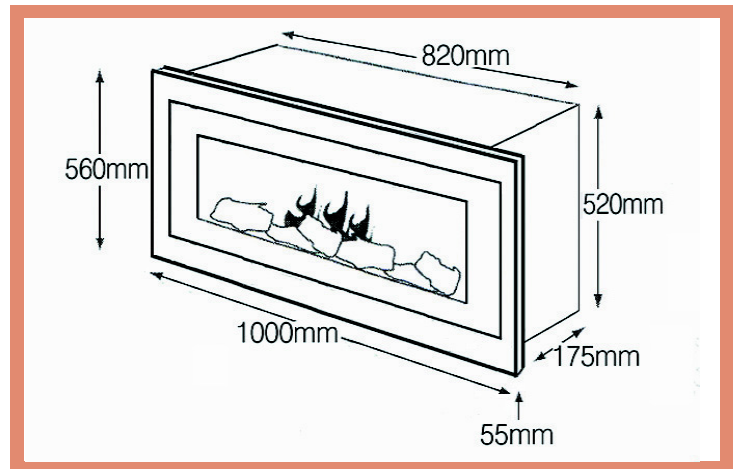
FRAMING REQUIREMENTS (for in-wall installation): 580W x 660H x 200D

ODYSSEY Features

- Stylish heater that can be either hung on the wall or installed into a cavity
- Variable speed fan with auto on/off
- Hidden Heater technology, 1 and 2kw settings
- Ease of access for bulb change
- Dimmable sunblaze flame chamber set behind a glass screen
- Elegant flame-a-vision flame effect
- Child-friendly master on/off switch
- Multi-function remote control



OMNI ARGENTO Specifications



FRAMING REQUIREMENTS: 870W x 550H x 200D

OMNI ARGENTO Features

- Modern sleek design featuring dynamic flames
- Elegant flame-a-vision flame effect
- Hidden Heater technology, 1 and 2kw settings
- Ease of access for bulb change
- Dimmable sunblaze flame chamber set behind a glass screen
- Child-friendly master on/off switch
- Variable speed fan with auto on/off
- Multi-function remote control



Dimensions above are in millimetres and for reference only. We recommend measuring individual units at installation.

Refer to installation manual for detailed specifications on installing this product. Jetmaster reserves the right to update units periodically. Photos in this brochure may vary in colour and dimension (size) from the actual product.

