

International Gas Convector



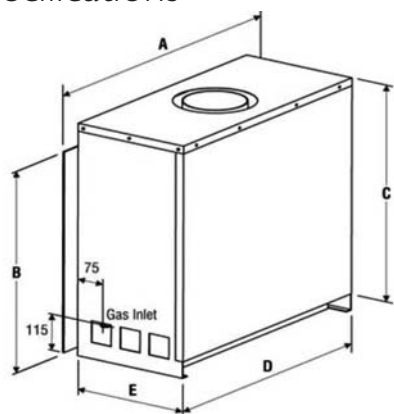
BRILLIANT HEAT, BEAUTIFUL TO WATCH

Cutting edge design, beauty in simplicity.



New to the Jetmaster range comes the 1050 International Gas Convector. Featuring a metre wide gas pebble, coal or fire glass burner, giving you unsurpassed beauty, style and ambience. The IGC's generous variable gas input (up to 72mj/hr), offers excellent radiant and convected heat. The IGC comes in a zero clearance option-no brick work needed and is also designed to simply be inserted into existing brick chimneys. The UK front option for the IGC adds unique style. The UK front is available in black, charcoal and stainless steel (allow 4 - 6 week lead time for stainless steel).

Specifications

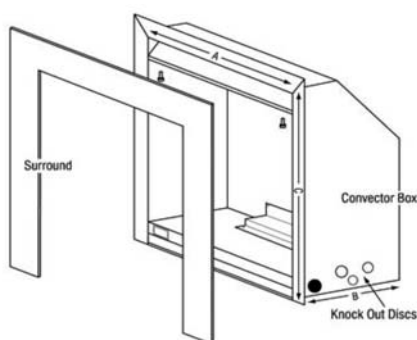


New Construction Zero Clearance

| FLUE SIZE | INNER | OUTER |
|-----------|-------|-------|
| 1050 IGC | 225 | 275 |

| BOX SIZE | A | B | C | D | E |
|----------|------|-----|-----|------|-----|
| 1050 IGC | 1250 | 620 | 825 | 1220 | 425 |

Dimensions are in millimeters. Dimensions provided are actual box sizes. For framing sizes, refer to Framing Specification Sheet.



Existing Fireplace

| | A | B | C |
|-----------|------|-----|-----|
| 1050 IGCS | 1150 | 345 | 570 |

Dimensions are in millimeters. Dimensions provided are actual box sizes. For framing sizes, refer to Framing Specification Sheet.

Call into your local retail outlet

Jetmaster Head Office: 10 Martin Avenue, Arncliffe NSW 2205 T: 02 9597 7222 F: 02 9597 7622 E: sales@jetmaster.com.au www.jetmaster.com.au



BRILLIANT HEAT. BEAUTIFUL TO WATCH