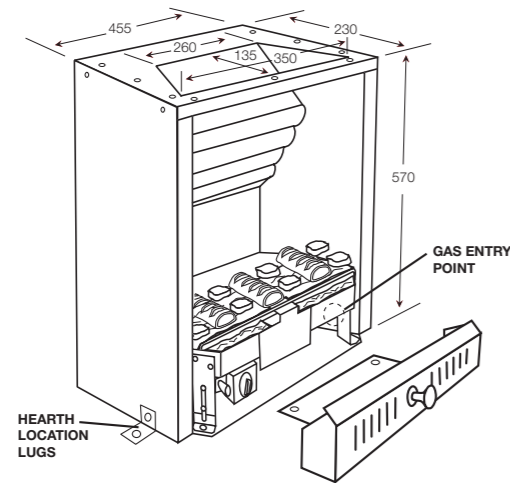


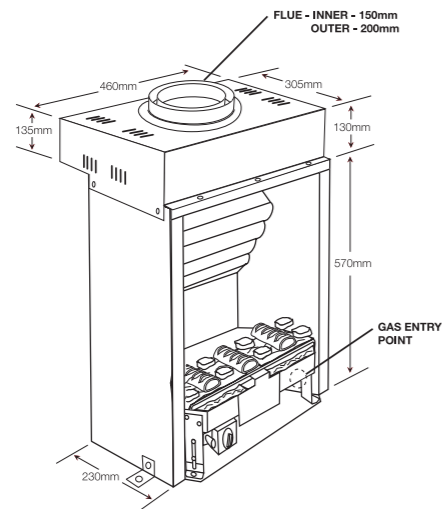
Specifications and Construction

Real Flame's Hotbox ceramic backed gas fire has been designed for ease of installation for builders & renovators and is perfectly safe for installation into brick veneer or weatherboard homes.

Hot Box overall dimensions for existing fireplace installation



Hot Box overall dimensions of zero clearance installation for new fireplace construction



Hotbox



Gas Fireplace

Creating a new or updating an existing fireplace is simple with Real Flame's 'Hot Box' system. Once completed, you can enjoy all the warmth, ambience and romance of a real open fire without the mess and fuss of a solid fuel fire.

www.realflame.com.au
the hearth of australia

Head Office/Showroom
300 Swan St, Richmond VIC T: 03 9428 4443

Showrooms

21 Malvern St, Bayswater	VIC	T: 03 9738 0399
654 Pacific Hwy, Chatswood	NSW	T: 02 8905 0189
36 Kareena Road, Miranda	NSW	T: 02 9520 1948
173-175 Magill Rd, Norwood	SA	T: 08 8132 0371
7/8 Leopold St, Fortitude Valley	QLD	T: 07 3257 0394

Warranty: Your Real Flame gas firebox is unconditionally guaranteed for a period of 10 years, all other parts are guaranteed for 12 months from date of purchase.

Available from:



real flame
the hearth of australia

Choose your style

Whether renovating an existing fireplace or creating a new one, the Hotbox ceramic fibre design is convenient, economical and safe. With designs ranging from heritage to contemporary there is a style to suit all individual tastes and applications. All Real Flame gas fires are fitted with the latest in safety technology, including flame failure devices and oxygen depletion systems to ensure your families safety.

Features

- Ideal for new fireplace construction and installation into an existing fireplace recess
- Total design flexibility to create your own individual style
- Flame failure device & oxygen depletion system
- Designed in Australia for Australian conditions
- Ceramic backed firebox
- Flexible configuration of coals or pebbles
- Available for natural gas or LPG
- 26mjh Gas input
- 20 square-metre heating capacity
- AGA Approval 6094



HOT BOX fitted with black 'Lux' fascia, ash pan cover and polished Kauri Victorian mantelpiece.



HOT BOX fitted with black 'Sheffield' fascia, Spanish front iron and polished Kauri Adelaide mantelpiece.



HOT BOX fitted with polished 'Monash' fascia, Spanish front iron, Dianne tiles and polished Kauri Federation mantelpiece.



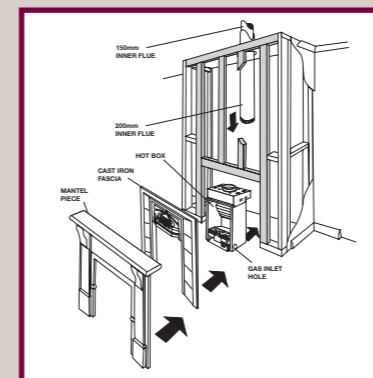
HOT BOX fitted with polished 'Stonington' fascia, Spanish front iron, Alison tiles and polished Kauri Federation mantelpiece.



HOT BOX fitted with polished 'Manningham' fascia, Ranch front iron, deco tiles and polished Kauri Federation mantelpiece.

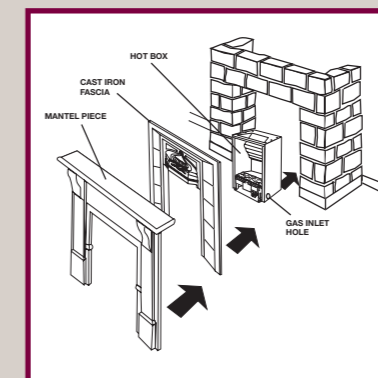


HOT BOX fitted with polished 'Kingston' fascia, Ranch front iron, Wessex tiles and polished Kauri Federation mantelpiece.



NEW INSTALLATION

Construct frame and finish with plasterboard as per instructions. Fit fireplace, flue and finish with fascia and mantel.



EXISTING FIREPLACE

Transform your dusty old fireplace into a clean and convenient gas operated 'Hot Box' system. First, position the 'Hot Box' into existing masonry opening then fit your chosen fascia and mantelpiece design and your fireplace is ready to enjoy.

