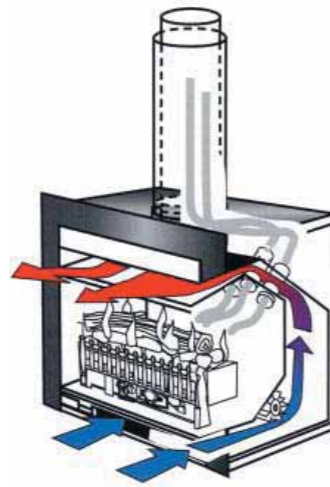
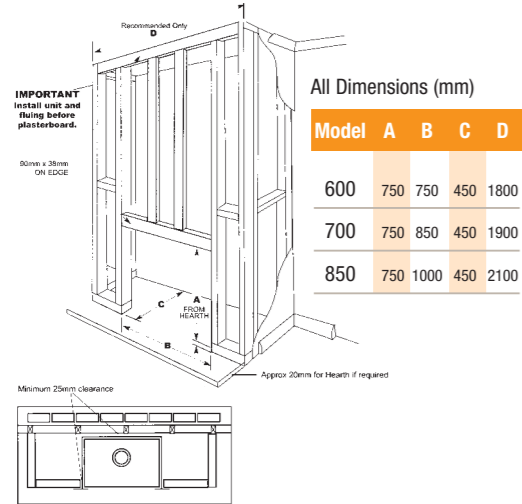


# Specifications and Construction

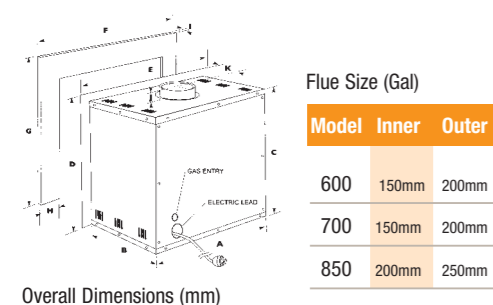
Real Flame's Heatseeker fan forced gas fire has been designed for ease of installation and to suit the needs of builders and renovators.

You can relax in the knowledge that your Heatseeker, with its zero clearance casing and twin skin galvanised flue, is perfectly safe for your brick veneer or weatherboard home.

## Frame Construction



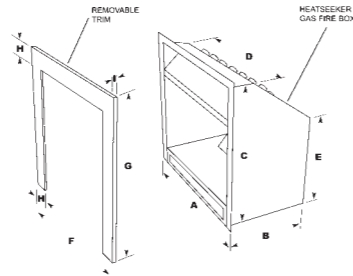
## New Fireplace Installation



Overall Dimensions (mm)

| Model | A   | B   | C   | D   | E   | F   | G   | H  | I  | J  | K   |
|-------|-----|-----|-----|-----|-----|-----|-----|----|----|----|-----|
| 600   | 675 | 415 | 650 | 670 | 730 | 740 | 670 | 75 | 15 | 30 | 235 |
| 700   | 775 | 415 | 650 | 670 | 830 | 840 | 670 | 75 | 15 | 30 | 235 |
| 850   | 930 | 415 | 650 | 670 | 980 | 990 | 670 | 75 | 15 | 30 | 235 |

## Existing Fireplace Installation



Overall Dimensions (mm)

| Model | A   | B   | C   | D   | E   | F   | G   | H  | I  |
|-------|-----|-----|-----|-----|-----|-----|-----|----|----|
| 600   | 730 | 370 | 605 | 610 | 370 | 740 | 670 | 75 | 15 |
| 700   | 830 | 370 | 605 | 710 | 370 | 840 | 670 | 75 | 15 |
| 850   | 980 | 370 | 605 | 860 | 370 | 990 | 670 | 75 | 15 |

# Heatseeker



## Gas Fireplace

Create the warmth and ambience of an open fire at the flick of a switch with Real Flame's Heatseeker fan-forced gas fire. Choose from Real Flame's range of styles, accessories and mantelpieces, all designed to give your home real heart. You can now have all the atmosphere of a solid fuel fire, without any of the mess or fuss. The Heatseeker fan-forced gas fire is available in three conveniently sized fireboxes designed to slide easily into the most existing open fireplaces.



**Warranty:** Your Real Flame gas firebox is unconditionally guaranteed for a period of 10 years, all other parts are guaranteed for 12 months from date of purchase.

### Head Office/Showroom

300 Swan St, Richmond VIC T: 03 9428 4443

### Showrooms

21 Malvern St, Bayswater VIC T: 03 9738 0399  
 654 Pacific Hwy, Chatswood NSW T: 02 8905 0189  
 173-175 Magill Rd, Norwood SA T: 08 8132 0371  
 7/8 Leopold St, Fortitude Valley QLD T: 07 3257 0394

Available from:

# Choose your style

Whether renovating an existing fireplace or creating a new one, the Heatseeker's fan forced convection design is convenient, economical and safe. All Real Flame gas fires are fitted with the latest in safety technology, including flame failure devices and oxygen depletion systems to ensure your families safety.

# Existing fireplace installation

Transform your existing open fireplace into a clean, convenient and economical heating system with the installation of an in-built Heatseeker.

It's two speed fan will spread the heat around your room far more efficiently than your old fireplace, without the mess and fuss associated with solid fuel fires.



**SERIES 850 HEATSEEKER** with 'Ranch' front iron and 4 sided stainless steel trim



**SERIES 600 HEATSEEKER** with 'Ranch' front iron, 4 sided stainless steel trim and exposed stainless steel flue



**SERIES 850 HEATSEEKER** 3 sided stainless steel trim, stainless steel canopy, side and rear stainless mirrors, stainless steel flat tray and ceramic fibre pebbles



**SERIES 700 HEATSEEKER** with 'gold' plated Spanish front iron, completed with marble margins, marble hearth and 'Windsor' mantelpiece

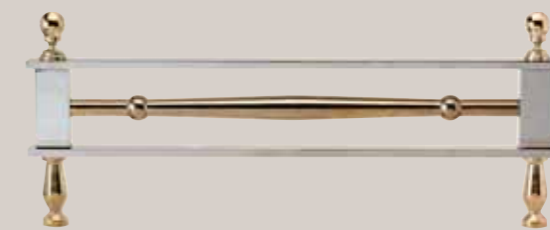


**BEFORE**  
Existing fireplace with chimney

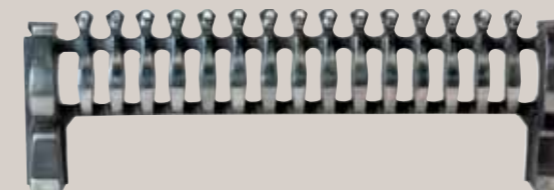


**AFTER**  
Series 700 Heatseeker

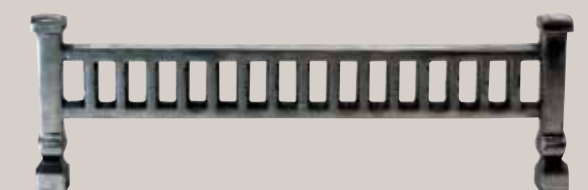
# Accessories



Real Flame 'Deco' steel front iron finished in chrome and 24k gold plate



Real Flame 'Spanish' cast iron front panel finished in either black, polished cast or brass plate



Real Flame 'Ranch' cast iron front panel finished in either black, polished cast or brass plate